

# Sarix Value 2 Series Wedge

The Sarix Value 2 Series Wedge Camera brings security back to the basics, offering a budget-friendly solution to fill coverage gaps, without compromising quality. With essential features at an affordable price, the Value 2 Series is a perfect choice for those looking for a no-frills approach to security.

2 MP

5-YEAR WARRANTY



## Features

### FOCUS ON WHAT MATTERS MOST

This camera provides necessary alerts, notifying you if someone enters the scene or attempts to tamper with the device, keeping your security simple and focused on what truly matters.

### SECURITY THAT SHINES

Reduce The camera understands when the sun goes down or the lights turn off and will adjust the imaging, so you can see perfectly no matter the condition.

### EASILY CONNECT TO PROTECT

Eliminate the stress that comes from your security setup. Install and activate your Value 2 Series camera on your existing VMS with ease.

### COVER YOUR TRACKS

Create a smoother, safer and more secure experience for all passengers on board. The Sarix Value 2 Series<sup>1</sup> can withstand vibrations and shocks to capture critical details even within a moving train.

For more information visit [pelco.com](https://www.pelco.com)

<sup>1</sup>Only available on the Sarix Value 2 Series Wedge Camera.

**PELCO**<sup>®</sup>

# Specifications

## Image Performance

### 2.0 MP

Image Sensor	1/2.8" CMOS	
Imaging Area (Diagonal)	6.45 mm	
Aspect Ratio	16:9	
Dynamic Range	WDR Off	Up to 80 dB
	WDR On	Up to 120 dB
Active Pixels (H x V)	1937 x 1097	
Max Frame Rate	(50 Hz/60 Hz): 25 fps/30 fps	
Streaming Resolutions	(16:9) 1920x1080, 1280x720, 640x360, 512x288 (4:3) 1600x1200, 1440x1080, 1280x960, 768x576, 64 x480, 384x288, 368x264	
Bandwidth Management	SmartCodec technology; Dynamic GOP	
3D Noise Reduction Filter	Yes	
Signal-to-Noise Ratio (SNR)	> 50 dB	

## Lens and IR Illumination

### 2.0 MP

Lens Focal Length (EFL)	2.8 mm Fixed
IR Illumination (high power 850 nm LEDs)	20 m
Minimum Illumination Without IR	Color mode: 0.03 lux Black and White mode: 0.01 lux
Horizontal Angle of View Based on Aspect Ratio	(16:9) 105°
Vertical Angle of View Based on Aspect Ratio	(16:9) 56°
Max Aperture	F1.6
Lens Control	IR Cut Filter

## Image Control

### 2.0 MP

Image Compression Method	H.264, H.265, Motion JPEG, Pelco Smart Compression
Streaming	Multi-stream H.264, Multi-stream H.265, Motion JPEG
Motion Detection	Pixel motion: Selectable sensitivity and threshold.
Electronic Shutter Control	Automatic, Manual (1/2 to 1/32000 sec), Shutter-Priority: (1/2 to 1/10000 sec)
Day/Night Control	Automatic, Color, Monochrome
Flicker Control	50 Hz, 60 Hz
Iris Control	Fixed
White Balance	Automatic, Manual
Backlight Compensation	Adjustable
Image Rotation	0°, 90°, 180°, 270° including Corridor Mode
Privacy Zones	Up to 8 zones
Motion Detection	Pixel motion: Selectable sensitivity and threshold
Tamper Detection	Yes

## Network

Network	100Base-T/TX, auto sensing
Cabling Type	CAT5 or better
Connector	M12 D-Coded 4pin Female (M12 to RJ45 adapter included)
ONVIF	ONVIF® compliance Profile S, Profile T, Profile M and Profile G ( <a href="http://www.onvif.org">www.onvif.org</a> )
Security	Password protection, HTTPS encryption, digest authentication, WS authentication, user access log, 802.1x port based authentication, SSL Encryption, Secure Boot
Protocols	IPv6, IPv4, HTTP, HTTPS, DNS, NTP, RTSP, RTCP, RTP, RTMP, RTSPS, TCP, UDP, IGMP, ICMP, DHCP, Zeroconf, ARP, uPnP, DDNS, FTP, SFTP, SSH, TLS/TLS, SNMP, QOS
Streaming Protocols	RTP/UDP, RTP/UDP multicast, RTP/RTSP/TCP, RTP/RTSP/HTTP/TCP, RTP/RTSP/HTTPS/TCP, HTTP
Device Management Protocols	SNMP v2c, SNMP v3

## Peripherals

Onboard Storage	MicroSD/microSDHC/microSDXC slot - Class V10 or better recommended. 1TB Card Tested.
USB Port	Micro USB

## Mechanical

Dimensions (LxWxH), Camera Assembly	111.5 mm (4.39 in) x 111 mm (4.37 in) x 57.6 mm (2.27 in)
Weight, Camera	409g
Dome Bubble	Polycarbonate
Body	Aluminum Alloy
Housing	Aluminum Alloy
Finish	Powder coat, close to Pantone 427C
Adjustment Range	Pan: 180°, Azimuth: 355°, Tilt: 0° – 75° tilt (recommended), 0° – 90° tilt (maximum)

## Electrical

Power Consumption	<12.95W
Power Source	PoE: IEEE 802.3af Class 3 (Only POE Mode A)
Interface	M12 D-Coded 4pin Female (M12 to RJ45 adapter included)
Memory	512MB RAM, 256MB Flash

## Environmental

Operating Temperature	-10°C to +60°C (14°F to 140°F)
Startup Temperature	-10°C to +60°C (14°F to 140°F)
Absolute Maximum Temperature	60°C (140°F)
Storage Temperature	-40°C to +60°C (-40°F to 140°F)
Humidity	90% non-condensing

## Certifications

Certifications/Directives	UL, cUL, CE, ROHS, RCM, UKCA, NOM, KC, BIS, CMIM
Safety	UL 62368-1, CSA 62368-1, IEC/EN 62368-1 IEC 62471

## Certifications

	EN 45545-2
Environmental	IEC 60529 IP66, IP67 rating IEC/EN 62262 impact IK10 EN 50155 Class OT1/ST1 IEC 61373 Category 1 Class B IEC 60721-3-5 Class 5M3
Electromagnetic Emissions	FCC Part 15, SubPart B (Class B) IC ICES-003 (Class B) EN 55032 (Class B) EN 61000-6-3 EN 61000-3-2 EN 61000-3-3
Electromagnetic Immunity	EN 55035 EN 61000-6-1 EN 50121-4 EN 50121-3-2
Warranty	Limited 5 Year Warranty

# Analytics Specifications

## Supported Analytics Events

Motion Detection	The event is triggered when an object moves into the region of interest.
Sabotage Motion	The event is triggered when the scene unexpectedly changes.
Adaptive Motion	The event is triggered when an objects has crossed the directional beam that is configured over the camera's field of view. The beam can be unidirectional or bidirectional.
Direction Violated	The event is triggered when an object moves in the prohibited direction of travel.
Object Left / Removed	The event is triggered when the object moves into or leaves the region of interest.
Camera Automation	SD Card Storage, FTP, Email, Text Overlay, HTTP Generic Event
Analytics Schedules	The event is triggered based on the configured schedule.

## Supported VMS\*

VideoXpert	Yes
Milestone	Yes
Genetec	Yes

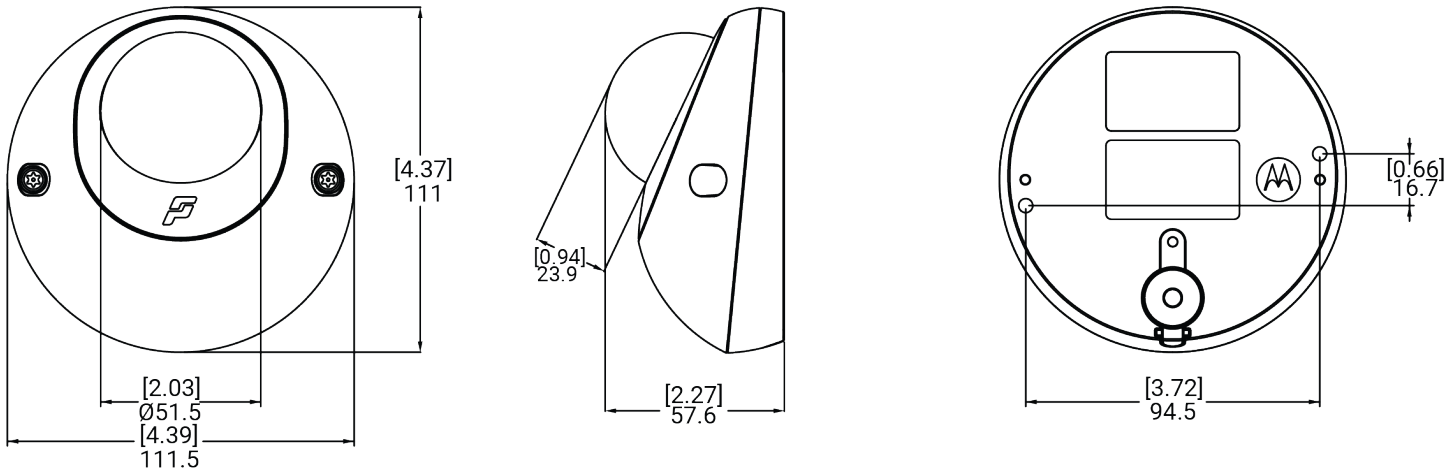
\*Please refer to the VMS supported device list on the VMS website to confirm the supported VMS version and the supported camera firmware.

# Outline Dimensions

## Wedge Camera with Surface Mount

(SRXV2 Wedge Camera + Provided Surface Mount)

[X.XX]	INCHES
X.X	MM



# Ordering Information

## Wedge Camera

Model Number	Description	Resolution (MP)	Lens	IR	Outdoor	Rolling Stock
SRXV2-2F3-EWD-IR	Sarix Value 2 Wedge	2.0	Fixed 2.8 mm	✓	✓	✓

## Accessories

Part Number	Description
SRXV2-WMT-1001	Wall Mount (Requires SRXV2-PDNT-1001)
SRXV2-PDMT-1001	Pendant Mount (Requires SRXV2-PDCP-1002)
SRXV2-LMT-1001	L Mount
SRXV2-PDNT-1001	Pendant Cap (Indoor Dome / Wedge)
SRXV2-PDCP-1002	Pendant Cap with 1-1/2" Adapter (Indoor Dome / Wedge)
SRXV2-LD-1W	Clear Replacement Bubble
SRXV2-LD-DW	Tinted Replacement Bubble

# Support

Learn more and find additional documentation at [pelco.com](https://pelco.com) or email [support@pelco.com](mailto:support@pelco.com) for specific product support.

2, Feb 2026

© 2026 Pelco, Inc. All rights reserved. MOTOROLA, MOTO, MOTOROLA SOLUTIONS, and the Stylized M Logo are trademarks or registered trademarks of Motorola Trademark Holdings, LLC and are used under license. Pelco, the Pelco logo, and other trademarks associated with Pelco products referred to in this publication are trademarks of Pelco, Inc. or its affiliates. All other trademarks are the property of their respective owners. Product specifications and availability are subject to change without notice. FEB 2026 C5073S REV 2

***PELCO***®