

Sarix[®] Modular Camera



Compliant with NDAA 2019
Section 889

Securing stairwells and hallways is difficult. You usually need multiple cameras, which can cause blindspots or added costs. The Sarix Enhanced Duo combines two sensors into one to help capture various angles without the expense and hassle of installing and managing two cameras.

3 MP

5 MP

5-YEAR WARRANTY



Features

SMART ANALYTICS, POWERED BY MOTOROLA SOLUTIONS

Detects and classifies more objects for greater accuracy and faster responses, even in crowded scenes.

H.264 & H.265 WITH SMART COMPRESSION TECHNOLOGY

Optimizes compression levels for regions in a scene to help maximize bandwidth savings and keep storage costs down.

WIDE DYNAMIC RANGE

Captures high-quality image details in scenes with dark and light backgrounds.

ONVIF[®] COMPLIANT

ONVIF Profile S, G and T compliance allows for easy integration with existing ONVIF infrastructures.

*ONVIF is a trademark of Onvif, Inc.

LOW-PROFILE & EASY-TO-INSTALL

Reduce installation times with lightweight, interchangeable form factors that can be mounted in practically any setting, including tight spaces and discreet applications such as behind false walls or ceilings.

DUST & WATER RESISTANCE¹

IP66 rating for resistance from dust and water.

CUSTOMIZABLE DESIGN

The main unit supports one or two imager modules, which connect via detachable cables through an encrypted, high-speed link. Their flexible, discreet mounting options allow for custom orientations to ensure optimal coverage of scenes or subjects.

¹ Available on Micro Bullet imager modules only.

PELCO[®]

Specifications - Main Unit

Image Control and Performance

Image Compression Method	H.264 Pelco Smart Compression, H.265 Pelco Smart Compression, Motion JPEG	
Bandwidth Management	Pelco Smart Compression technology; Idle scene mode	
Streaming	Multi-stream H.264, Multi-stream H.265, Motion JPEG, Pelco Smart Compression	
Max Image Rate (Based on combined resolution of one or two imagers)	High Frame Rate: (50 Hz/60 Hz)	(≤ 6 MP) 25 fps/30 fps (8 MP) 25 fps/24 fps (10 MP) 20 fps/24 fps
	Full Feature Mode: (50 Hz/60 Hz)	(≤ 5 MP) 25 fps/30 fps (6 MP) 25 fps/24 fps (8 MP) 20 fps/20 fps (10 MP) 12.5 fps/15 fps
Dynamic Range	Up to 120 dB	
Motion Detection	Pixel motion; Selectable sensitivity and threshold. Classified object detection	
Sabotage Detection	Yes	
Electronic Shutter Control	Automatic, Manual (1/7.5 to 1/8000 sec)	
Flicker Control	60 Hz, 50 Hz	
White Balance	Automatic, Manual	
Backlight Compensation	Adjustable	
Privacy Zones	Up to 64 zones	

Auxiliary

Audio Compression Method	G.711 PCM 8 kHz, Opus
Audio Input/Output	Line level input and output
External I/O Terminals	Alarm In: Digital input for connecting an external input sensor (for example, a motion detector); Alarm Out: Digital output for controlling an external output device (for example, a siren)

Network

Network	100BASE-TX
Cabling Type	CAT5E cabling for PoE Coaxial cabling for imager modules
Connector	RJ-45 for PoE HD BNC for imager modules
ONVIF	ONVIF compliance Profile S, Profile T, Profile G, and Profile M (www.onvif.org)
Security	Password protection, HTTPS encryption, digest authentication, WS authentication, user access log, 802.1x port based authentication, FIPS 140-2 L1 (with optional camera license), FIPS 140-2 L3 (with optional accessory), Signed and encrypted firmware
Protocols	IPv4, IPv6, HTTP, HTTPS, SOAP, DNS, NTP, RTSP, RTCP, RTP, TCP, UDP, IGMPv2, ICMP, DHCP, Zeroconf, QoS, DSCP
Streaming Protocols	RTP/UDP, RTP/UDP multicast, RTP/RTSP/TCP, RTP/RTSP/HTTP/TCP, RTP/RTSP/HTTPS/TCP, HTTP,

Network

	S RTP
Device Management Protocols	SNMP v2c, SNMP v3

Peripherals

Onboard Storage	2 x microSD/microSDHC/microSDXC slots - video speed class card required. Class V10 or better recommended. One of the two SD card slots is available for onboard storage.
-----------------	--

Mechanical

Dimensions (LxWxH)	Body Only	105 mm x 123 mm x 34 mm; 4.13 " x 4.84 " x 1.34 "
	Including HD BNC Connector	114 mm x 123 mm x 34 mm; 4.50 " x 4.84 " x 1.34 "
Weight	0.517 kg (1.14 lbs)	
Body	Aluminum	
Housing	Stainless steel (bracket)	
Finish	Black	

Electrical

Power Consumption	13 W Max
Power Source	VDC: 12 V +/-10%, 11.5 W min PoE: IEEE 802.3af Class 3 compliant
Power Connector	2-pin terminal block
RTC Battery Backup	3V manganese lithium

Environmental

Operating Temperature	-10 °C to +60 °C (14 °F to 140 °F)
Storage Temperature	-10 °C to +70 °C (14 °F to 158 °F)
Humidity	0 - 100% RH

Certifications

Certifications/Approvals	UL, cUL, CE, UKCA, ROHS, RCM, BIS, BSMI
Safety	UL 62368-1, CSA 62368-1, IEC/EN 62368-1
Electromagnetic Emissions	FCC Part 15 Subpart B Class A, ICES-003 Class A, EN 55032 Class A, EN 61000-3-2, EN 61000-3-3
Electromagnetic Immunity	EN 55035, EN 61000-6-1
Environmental	IEC 60068-2-27, IEC 60068-2-6, IEC 60068-2-14, IEC 60068-2-1, IEC 60068-2-2

Specifications - Imager

Image Performance		3.0 MP	5.0 MP
Image Sensor		1/2.7 " Progressive Scan	1/2.7 " Progressive Scan
Imaging Area (H x V)		5.4 mm x 3.9 mm; 0.213 " x 0.154 "	
Max Image Rate		(50 Hz/60 Hz): 25 fps/30 fps	
Streaming Resolutions	Primary Stream:	Right Angle: 2128 x 1368, 1920 x 1080, 1360 x 2128, 1088 x 1920 Micro Bullet: 2128 x 1536, 1920 x 1080, 1536 x 2128, 1088 x 1920	Micro Bullet: 2688 x 1944, 2128 x 1536, 2560 x 1440, 1920 x 1080, 1952 x 2688, 1536 x 2128, 1440 x 2560, 1088 x 1920
	Secondary Stream:	Right Angle: 1248 x 800, 832 x 536, 672 x 432, 528 x 336, 400 x 256 1280 x 720, 720 x 480, 640 x 360, 512 x 288, 384 x 216 800 x 1248, 528 x 832, 432 x 672, 336 x 528, 256 x 400 720 x 1280, 480 x 720, 368 x 640, 288 x 512, 240 x 424 Micro Bullet: 1248 x 904, 832 x 600, 672 x 480, 528 x 384, 400 x 288 1280 x 720, 720 x 480, 640 x 360, 512 x 288, 384 x 216 912 x 1248, 608 x 832, 480 x 672, 384 x 528, 288 x 400 720 x 1280, 480 x 720, 368 x 640, 288 x 512, 240 x 424	Micro Bullet: 1248 x 904, 832 x 600, 672 x 480, 528 x 384, 400 x 288 1280 x 720, 720 x 480, 640 x 360, 512 x 288, 384 x 216 912 x 1248, 608 x 832, 480 x 672, 384 x 528, 288 x 400 720 x 1280, 480 x 720, 368 x 640, 288 x 512, 240 x 424
Dynamic Range	WDR Off:	Up to 82 dB	
	WDR On:	Up to 120 dB	
3D Noise Reduction Filter		Yes	

Lens	Right Angle	Micro Bullet
Lens	3.7 mm fixed pinhole aperture	2.8 mm fixed
Minimum Illumination	0.1 lux	
Horizontal Angle of View (HFOV)	92 °	110 °
Vertical Angle of View (VFOV)	53 °	80 °
Max Aperture	F2.5	F2.0
Control	Fixed	

Image Control	
Electronic Shutter Control	Automatic, Manual (1/7.5 to 1/8000 sec)

Image Control

Iris Control	Fixed
Day/Night Control	Automatic, Manual
Flicker Control	60 Hz, 50 Hz
White Balance	Automatic, Manual
Backlight Compensation	Adjustable
Privacy Zones	Up to 64 zones

Connector

Cabling Type	Coaxial cable
Connector	HD BNC

Mechanical

Right Angle

Micro Bullet

Dimensions (LxWxH)	Imager Module Body Only	45 mm x 25 mm x 20 mm; 1.77 " x 0.98 " x 0.79 "	42 mm x 30 mm diameter; 1.65 " x 1.18 " diameter
	Including HD BNC Connector	54 mm x 25 mm x 20 mm; 2.13 " x 0.98 " x 0.79 "	50 mm x 30 mm diameter; 1.97 " x 1.18 " diameter
Weight	0.028 kg (0.06 lbs)		0.043 kg (0.09 lbs)
Body	Aluminum		
Housing	Plastic		
Finish	Black		

Environmental

Right Angle

Micro Bullet

Operating Temperature	-30 °C to +60 °C (-22 °F to 140 °F)	
Storage Temperature	-10 °C to +70 °C (14 °F to 158 °F)	
Humidity	0 - 100% RH	
Environmental	N/A	IP66 Rating

Analytics Specifications

Supported Analytics Events*

Objects in Area	The event is triggered when the selected object type moves into the region of interest. This event can be used to count objects.
Object Loitering	The event is triggered when the selected object type moves into the region of interest, then stays for an extended amount of time.
Objects Crossing Beam	The event is triggered when the specified number of objects have crossed the directional beam that is configured over the camera's field of view. The beam can be unidirectional or bidirectional.
Object Appears or Enters Area	The event is triggered by each object that enters the region of interest.
Object Not Present in Area	The event is triggered when no objects are present in the region of interest.
Objects Enter Area	The event is triggered when the specified number of objects have entered the region of interest.
Objects Leave Area	The event is triggered when the specified number of objects have left the region of interest.
Object Stops in Area	The event is triggered when an object moves into a region of interest and then stops moving for the specified threshold time.
Direction Violated	The event is triggered when an object moves in the prohibited direction of travel.
Sabotage Detection	The event is triggered when the scene unexpectedly changes.

*Pelco Smart Analytics powered by Motorola Solutions.

Pelco Elevate Supported Features

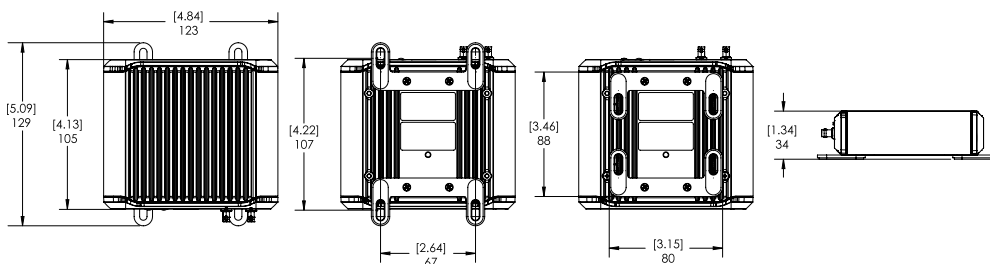
Image Health	Detects incremental changes in the cameras view, such as position shifts or obstructions. Notifies users through ONVIF conformant events and summarized email reports.
Firmware Management	Schedule and deploy automatic firmware updates to multiple cameras, or update individual cameras on-demand.
Personal Protective Equipment ¹	Triggers an ONVIF event if a is detected without hardhat and/or high-visibility vest in the scene.

¹ Optional add-on license required.

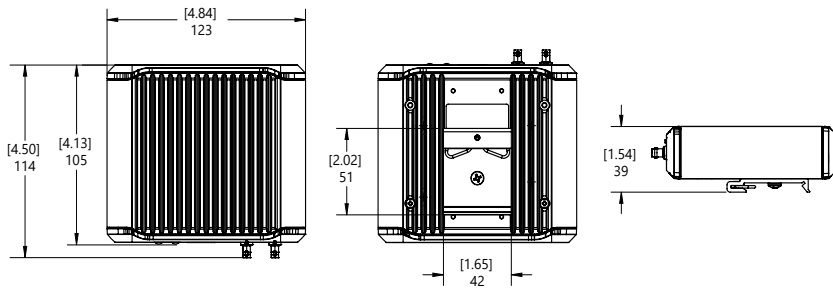
Outline Dimensions

[X.XX]	INCHES
X.X	MM

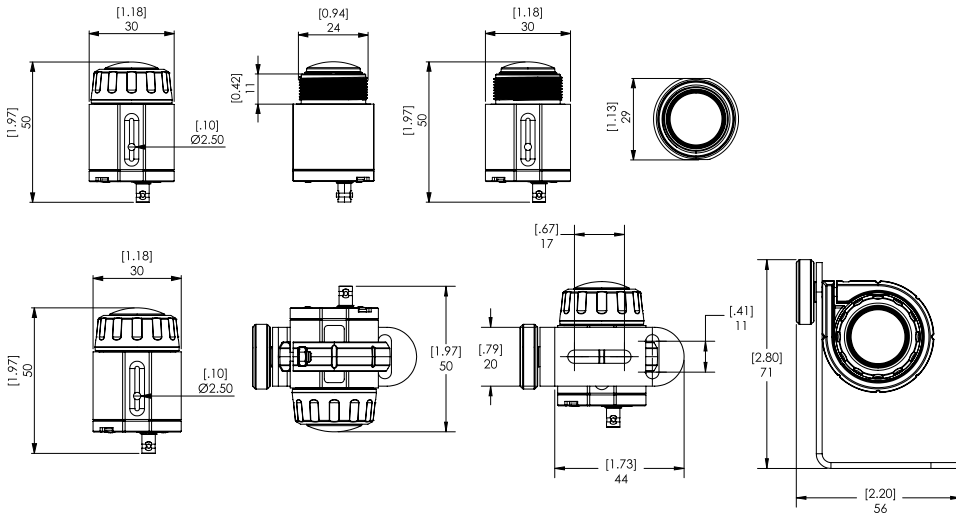
Main Unit with Bracket



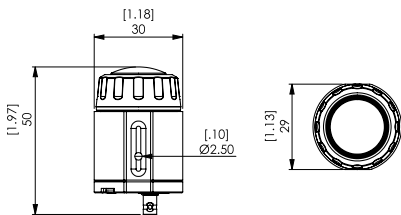
Main Unit with Din Rail Mount (Optional)



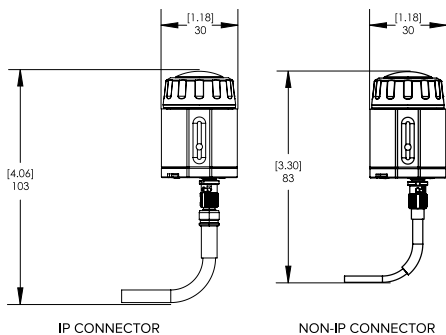
Micro Bullet Imager with Bracket



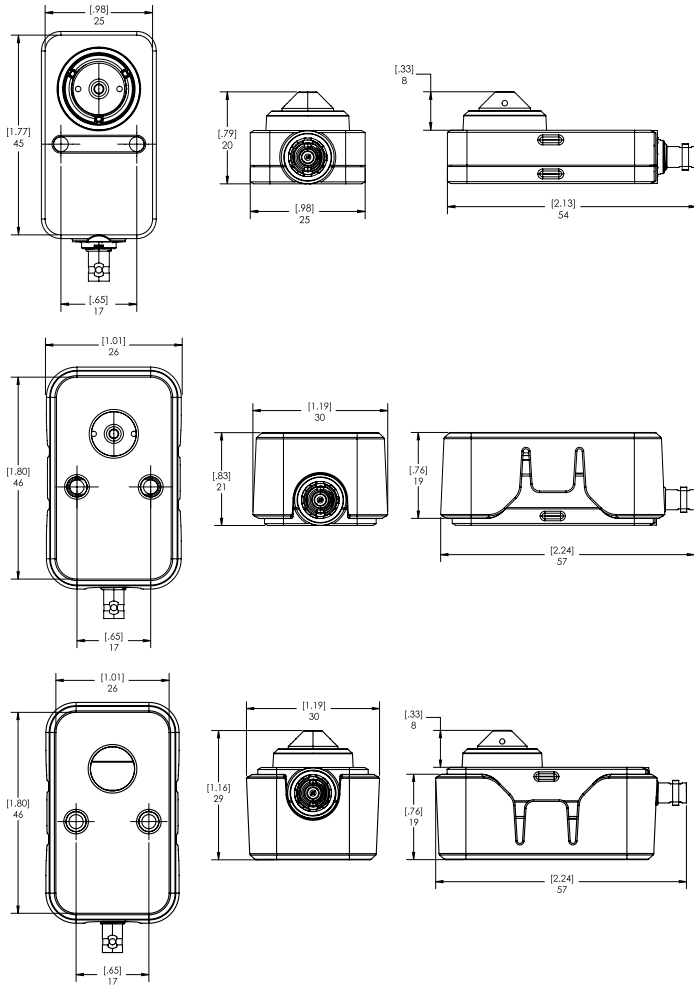
Micro Bullet Imager with Side Rail Mount



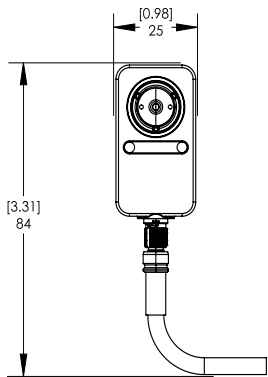
Micro Bullet Imager with Min. Cable Length



Right Angle Imager with Bracket



Right Angle Imager with Min. Cable Length



Ordering Information

The variety of mounting options for the Sarix Modular provides maximum flexibility to combine different imager modules and cable configurations.

Main Unit	Imager Modules	Required Accessories
 <p>Sarix Modular Camera Main Processor Unit (IDLO-PU2)</p>	<p>Order up to two imager modules per Main Unit, any combination of the following:</p> <div style="display: flex; justify-content: space-around; align-items: center;">   </div> <p>Sarix Right Angle Imager (IDL303-PHI) Sarix Micro Bullet Imager (IDLx02-FXI)</p>	<p>Order one cable for each imager module:</p> <ul style="list-style-type: none"> • CBL2M-1001 (2 m) • CBL5M-1001 (5 m)

Imager Modules

With the modular design of the Sarix Modular, either camera module can be connected to the Sarix Modular Camera Main Unit for maximum versatility and optimal installation.

	FORM FACTOR	MP	WDR	Analytics	Lens	IP66
IDL303-PHI	Right Angle	3.0	✓	✓	3.7 mm, Fixed Pinhole	
IDL302-FXI	Micro Bullet	3.0	✓	✓	2.8 mm, Fixed	✓
IDL502-FXI	Micro Bullet	5.0	✓	✓	2.8 mm, Fixed	✓

Camera Main Unit

Display Part Number	Description
IDLO-PU2	Sarix Modular 2 Port Main Processor Unit

Camera Imager

Display Part Number	Description
IDL303-PHI	3 MP Sarix Modular Pinhole Right Angle Imager
IDL302-FXI	3 MP Sarix Modular Fixed Lens Micro Bullet Imager
IDL502-FXI	5 MP Sarix Modular Fixed Lens Micro Bullet Imager

Camera Cables

Display Part Number	Description
CBL2M-1001	2 m (6 ft) HD BNC Cable for Sarix Modular Imager
CBL5M-1001	5 m (16 ft) HD BNC Cable for Sarix Modular Imager

Optional MountING Adapters

Display Part Number	Description
BRKTMD-1001	Din rail mount for Sarix Modular Main Processor Unit
BRKTMD-1011	Replacement L Bracket for Micro Bullet Imager Sarix Modular
BRKTMD-1021	Replacement Flat Bracket for Right Angle Imager Sarix Modular
BRKTMD-1031	Replacement Trimming Bracket for Micro Bullet Imager Sarix Modular

Support

Learn more and find additional documentation at pelco.com or email support@pelco.com for specific product support.