

Sarix Enhanced 4P Series Box Camera

2 MP

4 MP

6 MP

8 MP

The Sarix Enhanced 4P Series box camera introduces new analytic capabilities and sets an even higher standard for security by simultaneously running multiple analytics. Extract more information and in greater detail to optimize threat detection and response efficiency. Say goodbye to downtime or data loss with the Sarix Enhanced 4P's ability to switch power sources automatically. Intentionally designed without a microphone, the camera optimizes privacy and compliance by excluding audio recording and analysis.



Features

PROTECT MORE THINGS AT ONCE

Leverage Pelco Smart Analytics to detect human and vehicle events. Enhance capabilities further with advanced features such as crowd thresholds, people crawling, basic feature identification, vehicle type differentiation and privacy masking.

SECURED FROM THE INSIDE OUT

The Sarix Enhanced 4P Series camera ensures high data-security with onboarded TPM, Secure Boot, and FIPs-140-3 level 3 compliance. Manufactured in North America, NDAA and TAA-compliant, it's an ideal choice for security-focused businesses and organizations.

ELIMINATE VULNERABILITIES

Experience uninterrupted security and protection with hitless power failover, ensuring reliable power supply even during outages, so you never miss a moment.

DYNAMIC PRIVACY MASKING

Easily meet privacy requirements with the ability to track and blur people and vehicles appearing in video, but have the flexibility for authorized personnel to lift it during investigations

ELEVATE ENABLED

Enhance your camera management with cloud-based AI intelligence, seamlessly integrating with your existing system. Cut maintenance costs by automating camera checks and receiving notifications for image health or cloud connection changes.

ENHANCED CLARITY AND COVERAGE

Capture crucial details and provide valuable evidence with clearer, sharper footage. Record up to 60 frames per second for fast-moving objects. Equipped with compatibility for iCS and CS lenses, choose the lens that perfectly suits your requirements.

FIND YOUR FIT

Easily integrate Sarix Enhanced 4P box camera with any third-party video system using ONVIF S, G, T, and M conformance.

PELCO

Specifications

Image Performance		2.0 MP	4.0 MP	6.0 MP	8.0 MP
Image Sensor		1/2.8" progressive scan CMOS	1/1.8" progressive scan CMOS		
Imaging Area (H x V)		5.57 mm x 3.13 mm; 0.219" x 0.123"	7.8 mm x 4.41 mm; 0.307" x 0.174"	7.68 mm x 4.32 mm; 0.302" x 0.170"	
Aspect Ratio		(16:9)	(16:9) (4:3)	(16:9) (4:3)	(16:9) (4:3)
Dynamic Range	WDR Off	Up to 83 dB			
	WDR On	130 dB (dual exposure, 30 fps) 150 dB (triple exposure, 20 fps or less)	120 dB (dual exposure, 30 fps) 144 dB (triple exposure, 20 fps or less)	144 dB (triple exposure, 20 fps or less)	
Max Framerate		(50 Hz/60 Hz): 50 fps/60 fps in High Framerate Mode (50 Hz/60 Hz): 25 fps/30 fps		(50 Hz/60 Hz): 25 fps/30 fps	
Streaming Resolutions	Primary	1920 x 1080	(16:9) 2688 x 1520; 2560 x 1440; 1920 x 1080 (4:3) 1984 x 1488	(16:9) 3328 x 1872; 3200 x 1800; 2688 x 1520; 2560 x 1440; 1920 x 1080 (4:3) 2880 x 2160; 2304 x 1728; 2048 x 1536	(16:9) 3840 x 2160; 3328 x 1872; 3200 x 1800; 3072 x 1728; (4:3) 2880 x 2160; 2560 x 1920;
	Secondary	1280 x 720; 768 x 432; 640 x 360; 512 x 288;	(16:9) 1920 x 1080; 1280 x 720; 768 x 432; 640 x 360; 512 x 288; (4:3) 1920 x 1440; 1600 x 1200; 1280 x 960; 768 x 576; 640 x 480; 512 x 384; 384 x 288;	(16:9) 1920 x 1080; 1280 x 720; 768 x 432; 640 x 360; 512 x 288; (4:3) 1920 x 1440; 1600 x 1200; 1280 x 960; 768 x 576; 640 x 480; 512 x 384; 384 x 288;	(16:9) 2560 x 1440; 1920 x 1080; 1280 x 720; 768 x 432; 640 x 360; 512 x 288; (4:3) 2560 x 1920; 2304 x 1728; 1920 x 1440; 1600 x 1200; 1280 x 960; 768 x 576; 640 x 480; 512 x 384;
	Tertiary	1280 x 720; 768 x 432; 640 x 360; 512 x 288; 384 x 216;	(16:9) 1280 x 720; 768 x 432; 640 x 360; 512 x 288; 384 x 216; (4:3) 1280 x 960; 800 x 600; 640 x 480; 512 x 384; 368 x 264;	(16:9) 1280 x 720; 768 x 432; 640 x 360; 512 x 288; 384 x 216; (4:3) 1280 x 960; 768 x 576; 640 x 480; 512 x 384; 384 x 288; 368 x 264;	(16:9) 1920 x 1080; 1280 x 720; 768 x 432; 640 x 360; 512 x 288; 384 x 216 (4:3) 1920 x 1440; 1600 x 1200; 1280 x 960; 800 x 600; 640 x 480; 512 x 384; 384 x 288; 368 x 264;
	Quaternary	640 x 360; 512 x 288	(16:9) 640 x 360; 512 x 288 (4:3) 640 x 480; 512 x 384; 384 x 288	(16:9) 1280 x 720; 768 x 432; 640 x 360; 512 x 288 (4:3) 1280 x 960; 640 x 480; 512 x 384; 384 x 288	(16:9) 1280 x 720; 768 x 432; 640 x 360; 512 x 288 (4:3) 1280 x 960; 640 x 480; 512 x 384; 384 x 288
Bandwidth Management		Pelco Smart Compression technology; Idle scene mode			
3D Noise Reduction Filter		Yes			
Signal-to-Noise Ratio (SNR)		> 50 dB			

Lens

Minimum Illumination	2 MP	0.01 lux in color mode, 0.003 lux in monochrome mode at f/1.4
	4 MP	0.008 lux in color mode, 0.003 lux in monochrome mode at f/1.3
	6 MP	0.02 lux in color mode, 0.006 lux in monochrome mode at f/1.3
	8 MP	0.02 lux in color mode, 0.006 lux in monochrome mode at f/1.3
Lens Mount		iCS/CS Thread Mount
Control		DC lens / P-Iris: Remote back focus, autofocus and IR cut filter iCS lens: Remote zoom, focus and iris control, IR cut filter

Image Control

Image Compression Method	H.264, H.265, Motion JPEG, Pelco Smart Compression
Streaming	Multi-stream H.264, Multi-stream H.265, Motion JPEG
Electronic Shutter Control	Automatic, Manual (1/7.5 to 1/15000 sec)
Day/Night Control	Automatic, Manual, External
Flicker Control	60 Hz, 50 Hz
Iris Control	iCS, P-iris or DC-iris: Automatic, Open, Closed
White Balance	Automatic, Manual
Backlight Compensation	Adjustable
Image Rotation	0°, 90°, 180°, 270° including Corridor Mode
Electronic Image Stabilization	Yes
Privacy Zones	Up to 64 zones
Motion Detection	Pixel motion: Selectable sensitivity and threshold. Classified object detection
Camera Tamper Detection	Yes

Network

Network	1000BASE-T
Cabling Type	CAT5e or higher
Connector	RJ45 Connector
ONVIF	ONVIF® compliance Profile S, Profile T, Profile M and Profile G (www.onvif.org)
Security	Password protection, HTTPS encryption, digest authentication, WS authentication, user access log, 802.1x port based authentication, FIPS 140-3 L1 (with optional camera license), onboard FIPS 140-3 L3 certified TPM, Secure Boot, Signed and encrypted firmware, CC EAL6+
Protocols	IPv6, IPv4, HTTP, HTTPS, SOAP, DNS, NTP, RTSP, RTCP, RTP, TCP, UDP, IGMPv3, ICMP, DHCP, Zeroconf, ARP, HSTS, FTP
Streaming Protocols	RTP/UDP, RTP/UDP multicast, RTP/RTSP/TCP, RTP/RTSP/HTTP/TCP, RTP/RTSP/HTTPS/TCP, HTTP, SRTP
Device Management Protocols	SNMP v2c, SNMP v3

Peripherals

USB Port	USB 2.0
Onboard Storage ³	Two microSD/microSDHC/microSDXC slots – video speed class card required. Class V10 or better recommended.

³ Tested maximum capacity is 1.5TB.

Auxiliary I/O

Audio Compression Method	G.711 PCM 8 kHz, Opus
Audio Input/Output	Line level input and output
External I/O Terminals	1 x Relay In, 1 x Relay Out, 1 x 12 VDC out at 50 mA, RS-485
RS-485 Terminal	Yes

Mechanical

Dimensions (LxWxH)	122 mm x 75 mm x 63 mm; 4.8" x 3.0" x 2.5"
Weight	0.55 kg (1.2 lbs)
Body	Aluminum, Plastic
Camera Mount	1/4"-20 UNC (top and bottom)
Finish	Cast, powder coated, black

Electrical

Power Consumption	13 W max
Power Source	PoE: IEEE802.3af Class 3 compliant
External Power	VDC: 12-24 VDC ± 10%
RTC Backup Battery	3V manganese lithium
Memory	4 GB RAM, 4 GB Flash
Redundant Power	Seamless failover between PoE and Aux and back without interrupt in camera operation

Environmental

Operating Temperature	-10 °C to +65 °C (14 °F to 149 °F)
Storage Temperature	-10 °C to +70 °C (14 °F to 158 °F)
Humidity	0 - 95% non-condensing

Certifications

Certifications/Approvals	UL, cUL, CE, UKCA, ROHS, RCM, KC, BIS, NOM
Safety Standards	UL 62368-1, CSA 62368-1, IEC/EN 62368-1
Electromagnetic Emissions Standards	FCC Part 15 Subpart B Class B, ICES-003 Class B, EN 55032 Class B, EN 61000-6-3, EN 61000-3-2, EN 61000-3-3

Certifications

Electromagnetic Immunity Standards	EN 55035, EN 61000-6-1
Warranty	Limited 5 Year Warranty ¹

¹For more information on the warranty, see [Product Warranty Terms](#).

Analytics Specifications

Supported Analytics Events

Objects in Area	The event is triggered when the selected object type moves into the region of interest. This event can be used to count objects.
Object Loitering	The event is triggered when the selected object type moves into the region of interest and then stays for an extended amount of time.
Objects Crossing Beam	The event is triggered when the specified number of objects have crossed the directional beam that is configured over the camera's field of view. The beam can be unidirectional or bidirectional.
Object Appears or Enters Area	The event is triggered by each object that enters the region of interest.
Object Not Present in Area	The event is triggered when no objects are present in the region of interest.
Objects Enter Area	The event is triggered when the specified number of objects have entered the region of interest.
Objects Leave Area	The event is triggered when the specified number of objects have left the region of interest.
Object Stops in Area	The event is triggered when an object moves into a region of interest and then stops moving for the specified threshold time.
Direction Violated	The event is triggered when an object moves in the prohibited direction of travel.
Smart Motion Rule	Events are sent for person (including crawling) and vehicle present, against default unchangeable parameters.
Tamper Detection	The event is triggered when the scene unexpectedly changes.
Crowd Size	This event is triggered when the number of people is exceeded over a configurable duration.
Unusual Crowd Growth	This event is triggered when a crowd size grows unexpectedly.
Unusual Crowd Size	This event is triggered when an unusual crowd size is detected.

Analytics capabilities, including detection range, may vary by camera line. Please consult the Pelco Smart Analytics Design Guide for details specific to the Sarix Enhanced 4 Series.

Supported Classified Object Types

Object Types in Outdoor Mode	Vehicle, sub-types: Car, Pickup Truck, Large Truck, Van, Bicycle, Motorcycle, Bus Person
Object Types in Indoor Mode	Person

Pelco Elevate Supported Features

Image Health	Detects incremental changes in the camera's view, such as position shifts or obstructions. Notifies users through ONVIF conformant events and summarized email reports.
Firmware Management	Schedule and deploy automatic firmware updates to multiple cameras, or update individual cameras on-demand.

VideoXpert Supported Features

3.22	Support for video analytic events without vehicle sub-classes.
3.23 or higher	Support for crowd detection, audio analytics and video analytic events with vehicle sub-classes.

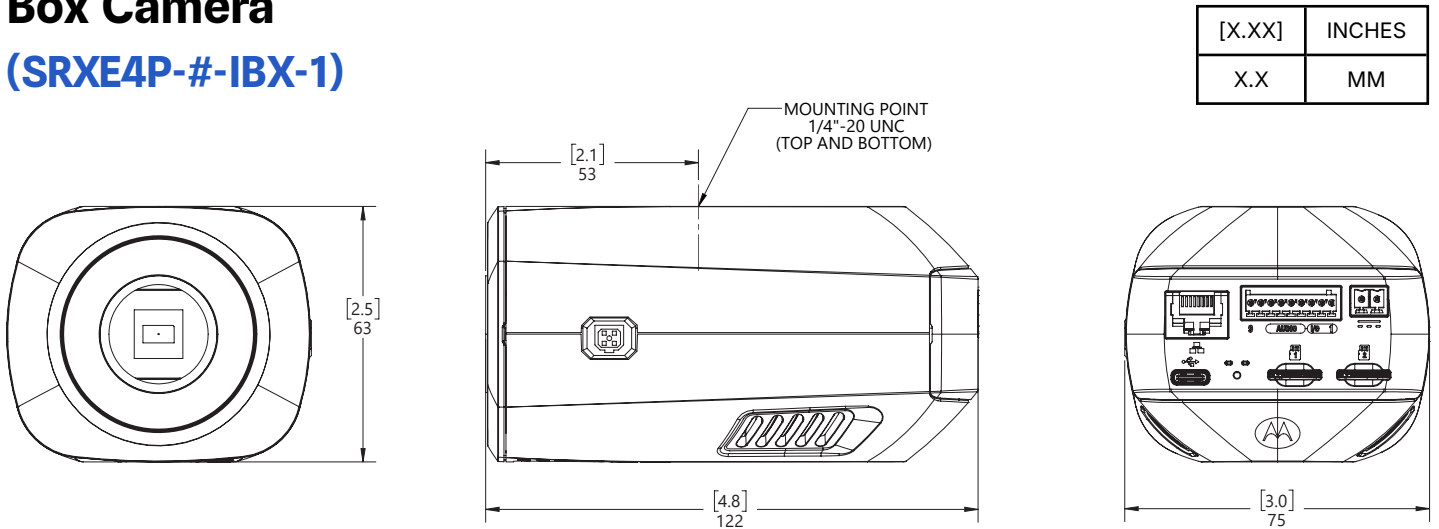
Pelco Connect Supported Features

Genetec	Support for Pelco Forensic Search and Analytics Configuration with the Genetec plugin.
Milestone	Support for Pelco Forensic Search and Analytics Configuration with the Milestone plugin.

Outline Dimensions

Box Camera

(SRXE4P-#-IBX-1)



Ordering Information

Box Camera

	MP	WDR	SureVision Technology	Analytics	Smart Compression
SRXE4P-2-IBX-1-B	2.0	✓	✓	✓	✓
SRXE4P-4-IBX-1-B	4.0	✓	✓	✓	✓
SRXE4P-6-IBX-1-B	6.0	✓	✓	✓	✓
SRXE4P-8-IBX-1-B	8.0	✓	✓	✓	✓

Enclosure Accessories

	Ambient Temperature	Ambient Temperature with optional Hi-PoE versions ¹
Videotec HOV with Heater	-20 °C to +55 °C (-4 °F to 131 °F)	-25 °C to +55 °C (-13 °F to 131 °F)
Videotec HOV with Blower	-10 °C to +55 °C (14 °F to 131 °F)	-20 °C to +55 °C (-4 °F to 131 °F)
Videotec Verso	-20 °C to +60 °C (-4 °F to 140 °F)	N/A

¹Hi-PoE module only supports 100 Base-T ethernet speeds.

Accessories

USB-AC56-NA-MSI-B / USB-AC56-EU-MSI	USB Wi-Fi adapter
--	-------------------

Lens Accessories

	Description	MP	Horizontal Field of View	Maximum Horizontal Field of View with Enclosure	
				Videotec HOV	Videotec Verso
AG3Z2812TCS-MPWIR-MSI	Computar 2.8-8.5mm f1.2, 1/2.7", 6MP, iCS	2.0	41° – 121°	93.8° ¹	95°
AG3Z2812KCS-MPWIR-MSI	Computar 2.8-8.5mm f1.2, 1/2.7", 5MP, P-Iris	2.0	41° – 121°	89.3° ¹	92°
M13VG2713IR-MSI	Tamron 2.7-13mm f1.4, 1/2.7", 3MP, DC Iris	2.0	26° – 122°	94.9°	92°
SL183A-MSI	Theia 1.8-3mm f1.8, 1/2.7", 4K, DC Iris	2.0	86° – 114°	110.7° ¹	93°
SL940P-MSI	Theia 9-40mm f1.5, 1/2.3", 4K, P-Iris	2.0	8° – 35°	35°	35°
M13VG850IR-MSI	Tamron 8-50mm f1.6, 1/2.7, 3MP, DC Iris	2.0	6° – 38°	38°	38°
FG50020P.IR-MSI	Ricom 3.4-9.85mm f1.86, 1/2.7, 5MP, DC Iris	2.0	33° – 102°	93.8° ¹	90°
EG6Z0915TCS-MPWIR-MSI	Computar 9-50mm f1.5, 1/1.8", 4K, iCS	2.0	7° – 34°	34°	Lens not compatible with the enclosure (excess dimensions)
		4.0	9° – 46°	46°	
		6.0	9° – 46°		
		8.0	9° – 46°		
SL1250P-MSI	Theia 12-50mm f1.8, 1/1.7", 4K, P-Iris	2.0	6° – 27°	27°	27°
		4.0	9° – 38°	38°	38°
		6.0	8° – 37°	37°	37°
		8.0	8° – 37°		
EG3Z3915KCS-MPWIR-MSI	Computar 3.9-10mm f1.5, 1/1.8", 4K, P-Iris	4.0	46° – 120°	94° ¹	95°
		6.0	45° – 119°		
		8.0	45° – 119°		
EG3Z3915TCS-MPWIR-MSI	Computar 3.9-10mm f1.5, 1/1.8", 4K, iCS	4.0	46° – 120°	94° ¹	95°
		6.0	45° – 119°		
		8.0	45° – 119°		
M117VG3817IR-MSI	Tamron 3.8-17mm f1.4, 1/1.7, 4K, DC Iris	4.0	27° – 114°	91.9°	Camera and lens are at the limits in terms of size
		6.0	26° – 113°	92.0°	
		8.0	26° – 113°		
HV03610P.IR-MSI	Ricom HV03610P.IR (4.3-9.6mm f1.8)	4.0	48° – 107°	95.2°	92°
		6.0	47° – 105°		
		8.0	47° – 105°		

¹Occlusion can be expected at full wide zoom, even with sunshade removed.

Support

Learn more and find additional documentation at pelco.com or email support@pelco.com for specific product support.

© 2025 - 2026 Pelco, Inc. All rights reserved. MOTOROLA, MOTO, MOTOROLA SOLUTIONS, and the Stylized M Logo are trademarks or registered trademarks of Motorola Trademark Holdings, LLC and are used under license. Pelco, the Pelco logo, and other trademarks associated with Pelco products referred to in this publication are trademarks of Pelco, Inc. or its affiliates. All other trademarks are the property of their respective owners. Product specifications and availability are subject to change without notice. APR 2026 REV REV 4

PELCO®