

ExSite Pro Bullet

Affordable security for hazardous sites



Securing hazardous environments is a balancing act: safety is key, but cost-effectiveness is critical. Pelco's explosion-proof camera breaks this cycle, offering high-performance security and reliability without the price tag. Enjoy strong security without straining your budget.

8 MP



Features

BUILT FOR YOUR HAZARDOUS SITE

Meet global explosion-proof and dust-ignition-proof compliance requirements. Built for tough environments, this camera can handle high/low temperatures, water, dust and strong winds.

STAY A STEP AHEAD OF THREATS

Smart Analytics offers better insights and faster responses with object detection and classification, crowd thresholds, vehicle type differentiation, crawling detection and privacy masking.

SAFEGUARD YOUR SECURITY SYSTEM

Get peace of mind that your system is secure with advanced cybersecurity features. Set up automatic firmware updates so your camera remains up-to-date with the latest security patches.

SEE WHAT YOU NEED TO SEE

This high-resolution camera captures sharp details, day and night. Its built-in IR illuminator provides clear night vision, so you can always see what's happening, even in the darkest areas.

EXPECT MORE FROM YOUR CAMERA

Unlock your camera's full potential by enabling Elevate, Pelco's built-in direct camera-to-cloud technology that enhances performance and detection accuracy.

COMPATIBLE WITH YOUR SYSTEM

This camera is ONVIF Profile S, G, T and M conformant for easy integration with leading video management systems, maximizing your existing investment.

PELCO®

Specifications

Image Performance

8.0 MP (4K Ultra HD)

Max Resolution (H x V) and Aspect Ratio	Primary	(16:9) 3840 x 2160, 3328 x 1872, 3200 x 1800, 3072 x 1728 (4:3) 2880 x 2160, 2560 x 1920
	Secondary	(16:9) 3840 x 2160*, 2560 x 1440, 1920 x 1080, 1280 x 720, 768 x 432, 640 x 360, 512 x 288 (4:3) 2880 x 2160*, 2560 x 1920, 2304 x 1728, 1920 x 1440, 1600 x 1200, 1280 x 960, 768 x 576, 640 x 480, 512 x 384
	Tertiary	(16:9) 1920 x 1080 1280 x 720, 768 x 432, 640 x 360, 512 x 288, 384 x 216 (4:3) 1920 x 1440, 1600 x 1200, 1280 x 960, 800 x 600, 640 x 480, 512 x 384, 384 x 288, 368 x 264
	Quaternary	(16:9) 1280 x 720, 768 x 432, 640 x 360, 512 x 288 (4:3) 1280 x 960, 640 x 480, 512 x 384, 384 x 288
Dynamic Range	WDR Off	Up to 83 dB
	WDR On (IEC 62676)	Up to 130dB (dual exposure, 30 fps)
	WDR On	Up to 144 dB (dual exposure, 20 fps or less)
Max Image Rate ¹		(50 Hz/60 Hz): 25 fps/30 fps
Bandwidth Management		Pelco Smart Compression technology; Idle scene mode
Signal-to-Noise Ratio(SNR)		> 50 dB

¹ Max Frame Rate of 15 fps when classified object privacy masking is enabled.

Lens and IR Illumination

4.4 - 9.3 mm

IR Illumination Max Distance ² (high power 850 nm LEDs)		70 m (229 ft), full tele 30 m (131 ft), full wide
Minimum Illumination	8 MP	With IR: 0 lux in monochrome mode Without IR: 0.006 lux in monochrome mode; 0.02 lux in color mode
Horizontal Angle of View Based on Aspect Ratio		(16:9) 47° – 109° (4:3) 35° – 78°
Vertical Angle of View Based on Aspect Ratio		(16:9) 26° – 57° (4:3) 26° – 57°
Max Aperture		F1.3
Control		Remote Zoom and Focus, Autofocus, IR Cut Filter

² IR illumination power may be reduced at higher operating temperatures.

Image Control

Image Compression Method	H.264, H.265, Motion JPEG, Pelco Smart Compression
Streaming	Multi-stream H.264, Multi-stream H.265, Motion JPEG

Image Control

Motion Detection	Pixel motion: Selectable sensitivity and threshold. Classified object detection
Camera Tamper Detection	Yes
Electronic Shutter Control	Automatic, Manual (1/7.5 to 1/15000 sec)
Iris Control	Automatic, Open, Closed, P-iris
Day/Night Control	Automatic, Manual, External
Flicker Control	60 Hz, 50 Hz
White Balance	Automatic, Manual
Backlight Compensation	Adjustable
Image Rotation	0°, 90°, 180°, 270° including Corridor Mode
Privacy Zones	Up to 64 zones

Network

Network	100BASE-TX, 1000BASE-T
Cabling	CAT5e
Connector	RJ-45
ONVIF	ONVIF® compliance Profile S, Profile T, Profile M and Profile G (www.onvif.org)
Security	Password protection, HTTPS encryption, digest authentication, WS authentication, user access log, 802.1x port based authentication, FIPS 140-3 L1, onboard FIPS 140-3 L3 certified TPM, Secure Boot, Signed and encrypted firmware
Protocols	IPv6, IPv4, HTTP, HTTPS, SOAP, DNS, NTP, RTSP, RTCP, RTP, TCP, UDP, IGMPv3, ICMP, DHCP, Zeroconf, HSTS
Streaming Protocols	RTP/UDP, RTP/UDP multicast, RTP/RTSP/TCP, RTP/RTSP/HTTP/TCP, RTP/RTSP/HTTPS/TCP, HTTP, SRTP
Device Management Protocols	SNMP v2c, SNMP v3

Peripherals

USB Port	USB 2.0
Onboard Storage ³	Two microSD/microSDHC/microSDXC slots – video speed class card required. Class V10 or better recommended.

³ Tested maximum capacity is 1.5TB.

Auxiliary I/O

Audio Compression Method	G.711 PCM 8 kHz, Opus
Audio Input/Output	Line level input and output
External I/O Terminals	1 x Relay In, 1 x Relay Out, 1 x 12 VDC out at 50 mA

Mechanical

Dimensions (LxWxH)	309 mm x 133 mm x 133 mm; 12.16" x 5.23" x 5.23"	
Weight	Camera	2.16 kg; 4.76 lbs
	Wall Plate	0.15 kg; 0.33 lbs
Body	Polycarbonate and aluminum	
Sunshield	AISI 316L stainless steel	

Mechanical

Housing	Backbox Mount
Finish	Powdercoat grey, pantone 427C
Adjustment Range	Hinge +/- 90°, Rotation +/- 175°

Electrical

Power Consumption	25W Max	
Power Source	PoE	IEEE 802.3af Class 3
	PoE+	IEEE 802.3at Class 4
IR Illuminator Behavior	PoE	Above 60 °C (140 °F), IR will be disabled. Between -5 °C (23 °F) and 55 °C (131 °F), IR operates at 30% power. Below -20 °C (-4 °F), IR operates at 10% power. Hysteresis at 5 °C (9 °F).
	PoE+ or Aux Power	Above 60 °C (140 °F), IR will be disabled. Between 50 °C (122 °F) and 60 °C (140 °F), IR operates at 50% power. Below -20 °C (-4 °F), IR operates at 50% power. Hysteresis at 5 °C (9 °F).
External Power	12-24 VDC +/-10%	
RTC Backup Battery	3V manganese lithium	
Memory	4GB RAM, 4GB Flash	
Redundant Power	Seamless failover between PoE and Aux and back without interrupt in camera operation	

Environmental

Operating Temperature	-40°C to +65°C (-40°F to 149°F)
Startup Temperature	-40°C to +65°C (-40°F to 149°F)
Storage Temperature	-10°C to +70°C (14°F to 158°F)
Humidity	0 - 100% non-condensing

Certifications

Certifications/Approvals	UL, cUL, CE, ROHS, UKCA
Safety Standards	UL 62368-1, CSA 62368-1, IEC/EN 62368-1, IEC 62471
Hazardous	ATEX (EN IEC 60079-0, EN 60079-7, EN 60079-31), IECEx (IEC 60079-0, IEC 60079-7, IEC 60079-31), UK Ex (EN IEC 60079-0, EN 60079-7, EN 60079-31), UL listed for USA (UL 60079-0, UL 60079-7, UL 60079-31, UL 121201), UL listed for Canada (CAN/CSA-C22.2 NO. 60079-0, CAN/CSA-C22.2 NO. 60079-7, CAN/CSA-C22.2 NO. 60079-31, CSA C22.2 NO. 213-17). UKCA (EN IEC 60079-0, EN 60079-7, EN 60079-31), INMETRO (ABNT NBR IEC 60079-0, ABNT NBR IEC 60079-7, ABNT NBR IEC 60079-31:2022), KCs ((Employment and labor department 2021-22), Ts Mark
Environmental Standards/Ratings	IEC 60529 IP66, IP67, IP68 (1.8m depth for 2 hours), IPX9K, NEMA 4X, IEC 60068-2 Shock & Vibration, NEMA TS2 Sec 2.2.7-2.2.9, IK10-rated casing
Electromagnetic Emissions Standards	FCC Part 15 Subpart B Class A, ICES-003 Class A, EN 55032 Class B, EN 61000-6-4, EN 61000-3-2, EN 61000-3-3, EN 50121-4, EN 50130-4
Electromagnetic Immunity Standards	EN 55035, EN 61000-6-2, EN 50121-4, EN 50130-4
Warranty	Limited 5 Year Warranty ¹

¹ For more information on the warranty, see [Product Warranty Terms](#).

Explosion-Proof Certifications

Part Number	Certification	Marking	Ambient Temperature	Cable Entry Temperature
EXFP1-8V9-EBT0-IRB	ATEX - UL 24 ATEX 3308X, UL 24 ATEX 3226X	Ex II 3G Ex ec IIC T4 Gc Ex II 2D Ex tb IIIC T135°C Db	-40°C ≤ Ta ≤ +65°C	+80°C
	IECEX ULD 24.0017X	Ex ec IIC T4 Gc Ex tb IIIC T135°C Db		
	cULus File E319666 Hazardous Location America	Class I, Zone 2, AEx ec IIC T4 Gc Zone 21, AEx tb IIIC T135°C Db Class I Div 2 Group A, B, C, D T4 Class II Div 2 Group F, G T4		
	cULus File E319666 Hazardous Location Canada	Ex ec IIC T4 Gc X Ex tb IIIC T135°C Db X Class I Div 2 Group A, B, C, D T4 Class II Div 2 Group F, G T4		
	UK EX - UL24UKEX3011X, UL24UKEX3012X	Ex II 3G Ex ec IIC T4 Gc Ex II 2D Ex tb IIIC T135°C Db		
	INMETRO - UL-BR 25.0057X	Ex ec IIC T4 Gc Ex tb IIIC T135°C Db		
	KCs - 25-KA4BO-0192X, 25-KA4BO-0193X	Ex ec IIC T4 Gc Ex tb IIIC T135°C Db		
	TS mark	Ex ec IIC T4 Gc Ex tb IIIC T135°C Db		

Analytics Specifications

Supported Analytics Events

Objects in Area	The event is triggered when the selected object type moves into the region of interest.
Object Loitering	The event is triggered when the selected object type moves into the region of interest and then stays for an extended amount of time.
Objects Crossing Beam	The event is triggered when the specified number of objects have crossed the directional beam that is configured over the camera's field of view. The beam can be unidirectional or bidirectional.
Object Appears or Enters Area	The event is triggered by each object that enters the region of interest. This event can be used to count objects.
Object Not Present in Area	The event is triggered when no objects are present in the region of interest.
Objects Enter Area	The event is triggered when the specified number of objects have entered the region of interest.
Objects Leave Area	The event is triggered when the specified number of objects have left the region of interest.
Object Stops in Area	The event is triggered when an object moves into a region of interest and then stops moving for the specified threshold time.
Direction Violated	The event is triggered when an object moves in the prohibited direction of travel.
Smart Motion Rule	Events are sent for person (including crawling) and vehicle present, against default unchangeable parameters.
Tamper Detection	The event is triggered when the scene unexpectedly changes.
Crowd Size	This event is triggered when the number of people is exceeded over a configurable duration.
Unusual Crowd Growth	This event is triggered when a crowd size grows unexpectedly.
Unusual Crowd Size	This event is triggered when an unusual crowd size is detected.

Analytics capabilities, including detection range, may vary by camera line. Please consult the Pelco Smart Analytics Design Guide for details specific to the Sarix Enhanced 4 Series.

Supported Classified Object Types

Object Types in Outdoor Mode	Vehicle, sub-types: Car, Pickup Truck, Large Truck, Van, Bicycle, Motorcycle, Bus Person
Object Types in Indoor Mode	Person

Pelco Elevate Supported Features

Image Health	Detects incremental changes in the cameras view, such as position shifts or obstructions. Notifies users through ONVIF conformant events and summarized email reports.
Firmware Management	Schedule and deploy automatic firmware updates to multiple cameras, or update individual cameras on-demand.

VideoXpert Supported Features

3.22	Support for video analytic events without vehicle sub-classes.
3.23 or higher	Support for crowd detection, audio analytics and video analytic events with vehicle sub-classes.

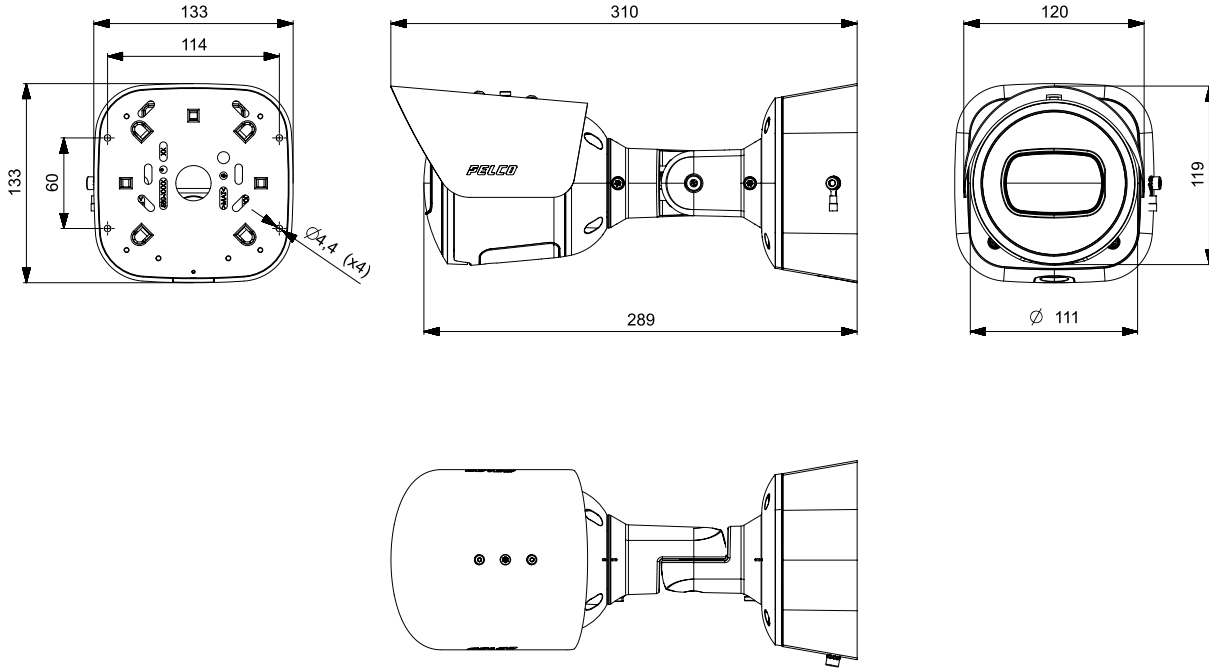
Pelco Connect Supported Features

Genetec	Support for Pelco Forensic Search and Analytics Configuration with the Genetec plugin.
Milestone	Support for Pelco Forensic Search and Analytics Configuration with the Milestone plugin.

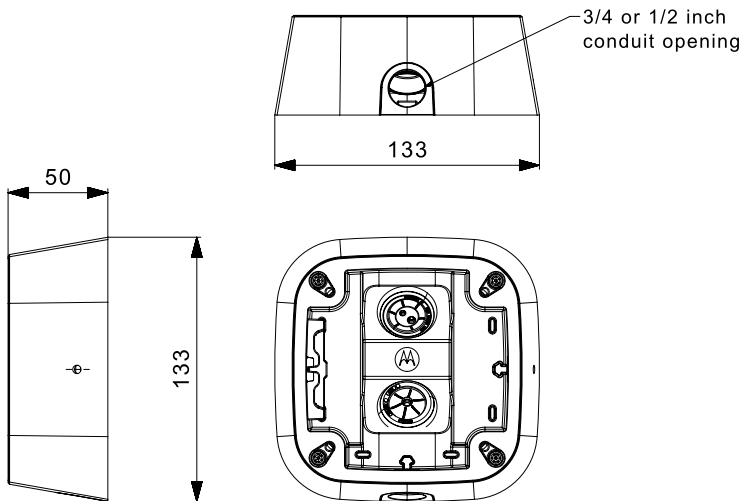
Outline Dimensions

Bullet Camera

[X.X]	INCHES
X	MM



Junction Box



Ordering Information

Bullet Camera

Model	MP	WDR	SureVision Technology	Lens	IR	Analytics	Smart Compression	Seamless Failover
EXFP1-8V9-EBT0-IRB	8.0	✓	✓	4.4 - 9.3 mm	✓	✓	✓	✓

Bullet Camera Accessories

Model	
CBLKIT-1011	USB adapter cable, for use with USB-AC56 Wifi install kit ¹
USB-AC56-NA-MSI	USB Wifi adapter install kit (North America) ¹
USB-AC56-EU-MSI	USB Wifi adapter install kit (Europe) ¹
PLMT-1001	Pole mount adapter
CRNMT-1001	Corner mount adapter
CAM-FIPS	Camera license to enable FIPS cryptographic module.

¹ Must not be used in hazardous areas.

Support

Learn more and find additional documentation at pelco.com or email support@pelco.com for specific product support.