

# ExSite Enhanced 2 Series Compact

## Sharp imaging for targeted hazardous areas



Compliant with NDA 2019  
Section 889

This compact explosion-proof camera is purpose-built to monitor operations and control processes in hazardous locations with risks of explosion, due to the presence of flammable liquids, gases or dust. Built with corrosion-resistant stainless steel, it provides sites with a reliable video security solution that can withstand harsh conditions.

This camera offers operators crisp and clear evidence with high-resolution imaging, true WDR and low-light capabilities for challenging lighting conditions common to hazardous area.

6 MP



## Features

### SMART ANALYTICS

Enhanced detection and classification of people and vehicles allowing operators to review situations needing immediate attention for faster response time.

### HAZARDOUS LOCATION CERTIFICATIONS

Heavy-duty housing meets stringent explosion-proof and dust ignition-proof requirements while complying with international standards (UL, CSA, ATEX, IECEx, UKCA, INMETRO, KCs, Ts mark and ECAS Ex).

### HIGH-TEMPERATURE RANGE

Optimized to operate reliably even at increased temperature variances: from -40°C (-40°F) up to +65°C (+149°F).

### STAINLESS STEEL CONSTRUCTION

AISI 316L stainless steel construction for exceptional resistance to corrosion for both onshore and offshore marine environments.

### H.264 AND H.265 SMART COMPRESSION TECHNOLOGY

Retains image quality and critical information while reducing and bandwidth requirements to lower cost of ownership.

### ONVIF® CONFORMANT<sup>1</sup>

ONVIF Profile G, M, S and T compliance allows easy integration with existing ONVIF infrastructures.

### WIDE DYNAMIC RANGE

Captures details in scenes with both very bright and very dark areas.

### LOW LIGHT TECHNOLOGY

Offers excellent image detail in low-light settings.

<sup>1</sup>ONVIF is a trademark of Onvif, Inc.

**PELCO**

# Specifications

## Image Performance

6.0 MP

Image Sensor	1/1.8" progressive scan CMOS	
Maximum Resolution (H x V)	3200 (H) x 1800 (V)	
Aspect Ratio	16:9	
Min Illumination	0.055 lux (F/1.8) in color mode; 0.028 lux (F/1.8) in monochrome	
Dynamic Range	WDR Off	85 dB
	WDR On	Up to 120 dB
Image Rate	Up to 30 fps	
Aspect Ratio (Resolution Scaling)	Down to (16:9) 384x216 or (5:4) 320x256	
3D Noise Reduction Filter	Yes	

## Lens

6.0 MP

Lens	F1.8, 4.9-8 mm remote focus and zoom	
Angle of View	Horizontal	(16:9) 52° - 92°
	Vertical	(16:9) 29° - 51°
Minimum focus distance	0.5m	

## Image Control

Video Compression	H.264 and H.265 Pelco Smart Compression, Motion JPEG	
Streaming	Multi-stream H.264, Multi-stream H.265, Motion JPEG	
Electronic Shutter Control	Automatic, Manual (1/7 to 1/8196 sec)	
Iris Control	P-Iris, Automatic, Open, Closed	
Day/Night Control	Mechanical IR cut filter. Automatic, Manual	
Flicker Control	60 Hz, 50 Hz	
White Balance	Automatic, Manual	
Backlight Compensation	Adjustable	
Privacy Zones	Up to 64 zones	

## Network

ONVIF	ONVIF compliance Profile S, Profile G, Profile T and Profile M ( <a href="http://www.onvif.org">www.onvif.org</a> )	
Security	Password protection, HTTPS encryption, digest authentication, WS authentication, user access log, 802.1x port based authentication. Signed and encrypted firmware. FIPS 140-2 L1 (with optional camera license).	
Protocols	IPv6, IPv4, HTTP, HTTPS, SOAP, DNS, NTP, RTSP, RTCP, RTP, TCP, UDP, IGMPv3, ICMP, DHCP,	

## Network

	Zeroconf, SRTP
Device Management Protocols	SNMP v2c, SNMP v3

## Mechanical

Dimensions (LxWxH)	Camera and bracket: 254.4 mm x 177 mm x 177.5 mm; 10.0" x 6.97" x 6.99"
Weight	Camera and bracket: 6.5 kg; 14.3 lbs., with 4 m cable: 8.5 kg; 18.7 lbs., with 10 m cable: 11.5 kg; 25.3 lbs.
Construction	AISI 316L stainless steel
Finish	Electro-polished surface
Cable Entry	1/2" NPT
Cable Gland	Ex db and tb 1/2" NPT (with preinstalled cable only)
Armored Cable Option	External diameter: 16.8 mm (0.66") ± 0.4 mm (0.016") Diameter under armature: 12.4 mm (0.49") ± 0.3 mm (0.012") Color: black RAL 9005 Composition: 3 × 1.5 mm <sup>2</sup> (15 AWG), 4 × 2 × 0.22 mm <sup>2</sup> (24 AWG) (cat. 5E F/STP)

## Electrical

Local Storage	MicroSD/microSDHC/microSDXC slot, up to 2 TB supported - video speed class card required. Class V10 or better recommended.
Ports	100BASE-TX, RJ45 connector (CAT5E cabling)
Power Consumption	20 W with 24 VDC (0.9 A), 21 W with 24 VAC (1.32A) or with IEEE 802.3 at
Input Voltage (Power)	VDC: 24 V ± 10%, VAC: 24 V ± 10%. PoE+: IEEE802.3 at compliant

## Environmental

Operating Temperature	-40 °C to +65 °C (-40 °F to 149 °F)
Storage Temperature	-40 °C to +70 °C (-40 °F to 158 °F)
Housing Climate Control	Built-in heater and fan
Humidity	10% - 95% non-condensing
Cold Start	Up to 1 hour startup delay at temperature lower than -10 °C (14 °F)

## Certifications

Certifications/Directives	cULus, CE, UKCA, ROHS, (RCM, KC not for TSmarm versions)
Safety	UL/CSA 62368-1, EN/IEC 62368-1, IS 13252(PART 1):2010/ IEC 60950-1 : 2005
Hazardous	ATEX (EN IEC 60079-0, EN 60079-1, EN 60079-31), IECEx (IEC 60079-0, IEC 60079-1, IEC 60079-31), EAC EX (TR CU 012/2011), INMETRO (ABNT NBR IEC 60079-0, ABNT NBR IEC 60079-1, ABNT NBR IEC 60079-31), UK Ex (EN IEC 60079-0, EN 60079-1, EN 60079-31), KCs (Employment and labor department 2016-54) only for EXC2602-62, UL listed for USA (UL 60079-0, UL 60079-1, UL 60079-31) only for EXC2602-62, UL listed for Canada (CAN/CSA-C22.2 NO. 60079-0, CAN/CSA-C22.2 NO. 60079-1, CAN/ CSA-C22.2 NO. 60079-31) only for EXC2602-62, ECAS Ex (UAE.S IEC 60079-0, UAE.S IEC 60079-1, UAE.S IEC 60079-31) only for EXC2602-62, EXC2602-62-A4, EXC2602-62-A0.
Environmental and Performance	EN/IEC 60529: IP66, IP67, IP68, IP69 EN 60068-2-52: salt spray UL50E: 4X, 6P
Electromagnetic Emissions	FCC Part 15 Subpart B Class A, IC ICES-003 Class A, EN 55032 Class A, EN 61000-6-3

## Certifications

Electromagnetic Immunity	EN 50130-4
Vibration Test	EN 50130-5, EN 60068-2-6
Marine Certification	Lloyd's Register Marine Type Approval certification: EN60945. Test Specification Number 1 (ENV1, ENV2, ENV3, ENV5) Electromagnetic compatibility: EN60945 Salty fog resistance: EN60068-2-52
Warranty	3-year limited warranty. 5-year extended warranty is available.

# Explosion-Proof Certifications

## Safety and Environmental Certifications

Part Number	Certification	Marking	Ambient Temperature	Cable Entry Temperature
EXC2602-62	DEMKO 17 ATEX 1823X	 II 2 G Ex db IIB T6...T5 Gb  II 2 D Ex tb IIIC T85°C...T100°C Db	-40°C ≤ Ta ≤ +65°C or +70°C	+83.2°C with Ta ≤ +65°C +88.2°C with Ta ≤ +70°C
	IECEX ULD 17.0002X	Ex db IIB T6...T5 Gb Ex tb IIIC T85°C...T100°C Db		
	EAC Ex RU C-IT.H A91.B.00274/22	1Ex db IIB T6...T5 Gb X Ex tb IIIC T85°C...T100°C Db X		
	INMETRO UL-BR 20.0227X	Ex db IIB T6...T5 Gb Ex tb IIIC T85°C...T100°C Db		
	KCs 20-KA4BO-0312X, 20-KA4BO-0313X	Ex db IIB T6...T5 Gb Ex tb IIIC T85°C...T100°C Db		
	UKEx UL21UKEX2215X	 II 2 G Ex db IIB T6...T5 Gb  II 2 D Ex tb IIIC T85°C...T100°C Db		
	cULUS File E319666 Hazardous Location	Class I, Zone 1, AEx db IIB T6...T5 Gb Zone 21, AEx tb IIIC T85°C...T100°C Db Class I, Div 2 Group C, D T6...T5 Class II, Div 2, Group F and G T6...T5		
	cULUS File E319666 Hazardous Location	Ex db IIB T6...T5 Gb X Ex tb IIIC T85°C...T100°C Db X Class I, Div 2 Group C, D T6...T5 Class II, Div 2, Group F and G T6...T5		
EXC2602-62-A4 EXC2602-62-A0	DEMKO 17 ATEX 1823X	 II 2 G Ex db IIB T6...T5 Gb  II 2 D Ex tb IIIC T85°C...T100°C Db	-40°C ≤ Ta ≤ +65°C or +70°C	+83.2°C with Ta ≤ +65°C +88.2°C with Ta ≤ +70°C
	IECEX ULD 17.0002X	Ex db IIB T6...T5 Gb Ex tb IIIC T85°C...T100°C Db		
	EAC Ex RU C-IT.H A91.B.00274/22	1Ex db IIB T6...T5 Gb X Ex tb IIIC T85°C...T100°C Db X		

Part Number	Certification	Marking	Ambient Temperature	Cable Entry Temperature
	INMETRO UL-BR 20.0227X	Ex db IIB T6...T5 Gb Ex tb IIIC T85°C...T100°C Db		
	UKEx UL21UKEX2215X	⊕ II 2 G Ex db IIB T6...T5 Gb ⊕ II 2 D Ex tb IIIC T85°C...T100°C Db		
EXC266200T EXC266204T EXC266210T	DEMKO 17 ATEX 1823X	⊕ II 2 G Ex db IIB T6...T5 Gb ⊕ II 2 D Ex tb IIIC T85°C...T100°C Db	-40°C ≤ Ta ≤ +65°C or +70°C	+83.2°C with Ta ≤ +65°C +88.2°C with Ta ≤ +70°C
	IECEX ULD 17.0002X	Ex db IIB T6...T5 Gb Ex tb IIIC T85°C...T100°C Db		
	Ts mark	Ex db IIB T6...T5 Gb Ex tb IIIC T85°C...T100°C Db		

## Analytics Specifications

### Supported Analytics Events\*

Objects in Area	The event is triggered when the selected object type moves into the region of interest. This event can be used to count objects.
Object Loitering	The event is triggered when the selected object type moves into the region of interest, then stays for an extended amount of time.
Objects Crossing Beam	The event is triggered when the specified number of objects have crossed the directional beam that is configured over the camera's field of view. The beam can be unidirectional or bidirectional.
Object Appears or Enters Area	The event is triggered by each object that enters the region of interest.
Object Not Present in Area	The event is triggered when no objects are present in the region of interest.
Objects Enter Area	The event is triggered when the specified number of objects have entered the region of interest.
Objects Leave Area	The event is triggered when the specified number of objects have left the region of interest.
Object Stops in Area	The event is triggered when an object moves into a region of interest and then stops moving for the specified threshold time.
Direction Violated	The event is triggered when an object moves in the prohibited direction of travel.
Sabotage Detection	The event is triggered when the scene unexpectedly changes.

\*Pelco Smart Analytics powered by Motorola Solutions.

### Pelco Elevate Supported Features

Image Health	Detects incremental changes in the cameras view, such as position shifts or obstructions. Notifies users through ONVIF conformant events and summarized email reports.
Firmware Management	Schedule and deploy automatic firmware updates to multiple cameras, or update individual cameras on-demand.

## System Model Numbers

System Resolution	Model #	Description
6 MP	EXC2602-62	ExSite Enhanced 2, 6MP, 4.9-8 mm lens, no cable

System Resolution	Model #	Description
6 MP	EXC2602-62-A4	ExSite Enhanced 2, 6MP, 4.9-8 mm lens, 4m armored cable
6 MP	EXC2602-62-A0	ExSite Enhanced 2, 6MP, 4.9-8 mm lens, 10m armored cable
6 MP	EXC266200T	ExSite Enhanced 2, 6MP, 4.9-8 mm lens, no cable with TS mark
6 MP	EXC266204T	ExSite Enhanced 2, 6MP, 4.9-8 mm lens, 4m armored cable with TS mark
6 MP	EXC266210T	ExSite Enhanced 2, 6MP, 4.9-8 mm lens, 10m armored cable with TS mark

## Mounting Accessories

Part #	Description
MMXCWCOL	Pole mount adapter for use with EXC2602-compact fixed cameras. For pole diameters from 60 mm (2.36") to 200 mm (7.9"). Max load 30 kg (66 lb.). AISI 316L stainless steel.

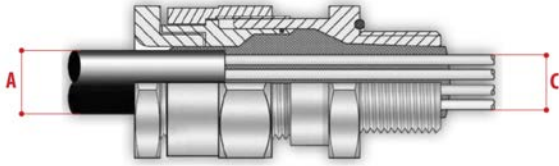
## Cabling

Item	Description
MMXCABLARM4	Cabling, 4m (13.1 ft), armored cable, barrier cable gland
MMXCABLARM10	Cabling, 10m (32.8 ft), armored cable, barrier cable gland

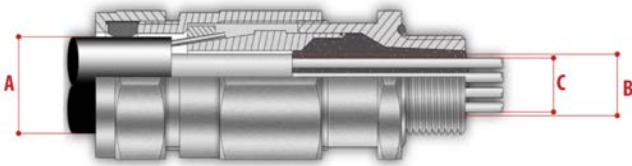
## Cable Glands

Type	Certification	Operating Temp.	Cable	Part Number	Maximum diameter of the external sheath (A)	Maximum diameter of the internal sheath (B)	Maximum diameter of the conductors bundle (C)
Barrier Cable Gland	IECEX / ATEX / EAC Ex	-60°C (-76°F) / +135°C (+275°F)	Unarmored	OCTEXB1/2P	14.0 mm (0.55")	-	12.5 mm (0.5")
			Armored	OCTEXBA1/2P	15.5 - 21.1 mm (0.61" - 0.83")	14.0 mm (0.6") max	12.5 mm (0.5")
Cable Gland with Gasket	IECEX / ATEX / EAC Ex	-60°C (-76°F) / +100°C (+212°F)	Unarmoured	OCTEX1/2C	3.2 mm - 8.0 mm (0.12" - 0.31")	-	-
			Armoured	OCTEXA1/2C	12.5 mm - 20.5 mm (0.49" - 0.8")	10 mm - 14.3 mm (0.4" - 0.56")	-
Plug EX 1/2" NPT	IECEX / ATEX / EAC Ex	-100°C (-148°F) / +400°C (+752°F)	-	OEXPLUG1/2P	-	-	-

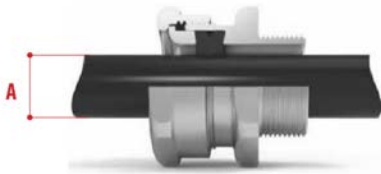
Type	Certification	Operating Temp.	Cable	Part Number	Maximum diameter of the external sheath (A)	Maximum diameter of the internal sheath (B)	Maximum diameter of the conductors bundle (C)
------	---------------	-----------------	-------	-------------	---	---	---



Barrier cable gland with unarmored cable



Barrier cable gland with armored cable



Cable gland with gasket with unarmored cable



Cable gland with gasket with armored cable

## Explosion-Proof Communication Box

A communication box includes a 3-port RJ45 and 1 SFP port Ethernet switch and 24 VAC output for powering up to one of the following:

- 2x EXC2602 fixed compact cameras
- 2x EXF2230 fixed cameras with 2x washer pump
- 1x EXP2230 PTZ camera with 1x washer pump

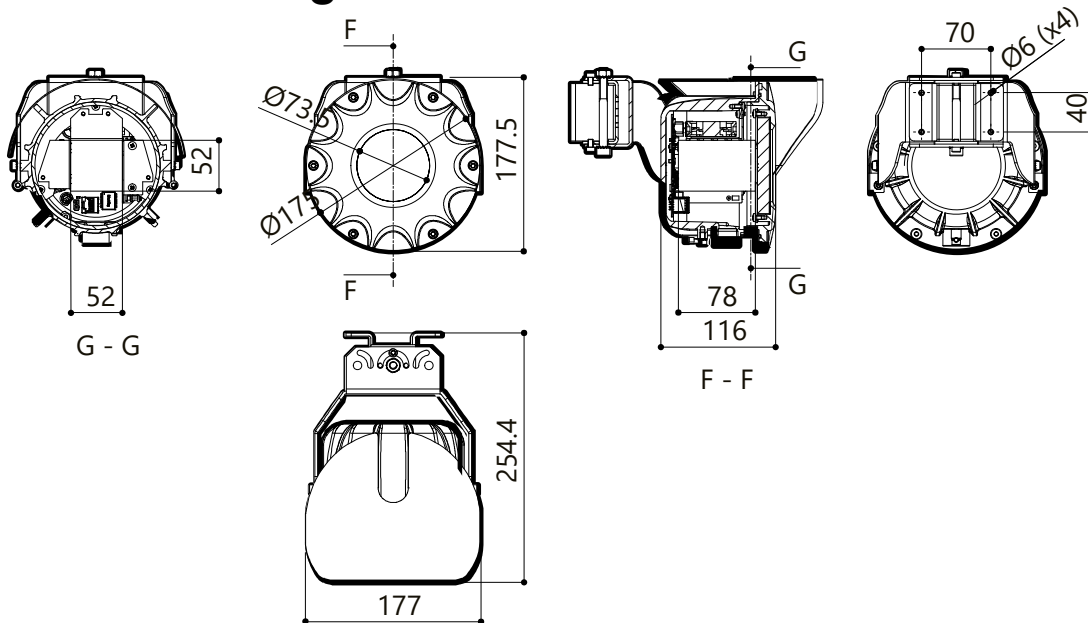
Part #	Description
MBX1MAA	AISI 316L stainless steel housing, 230 VAC input.
MBX2MAA	AISI 316L stainless steel housing, 24 VAC input.
MBX3MAA	AISI 316L stainless steel housing, 120 VAC input.

Part #	Description
MBXMP	Adapter plate for communication box to MPXCOL or MPXCW mounts. AISI 316L stainless steel housing.
MBXWRE	Wrench for opening communication boxes, MBX.
MPXCOL	Pole mount adapter for use with MBXMP or EXP2230 PTZ cameras. For pole diameters from 110 mm (4.3") to 150 mm (5.9"). Max load 50 kg (110 lb). AISI 316L stainless steel.
MPXCW	Corner mount adapter for use with MBXMP or EXP2230 PTZ camera. Max load 50 kg (110 lb.). AISI 316L stainless steel.

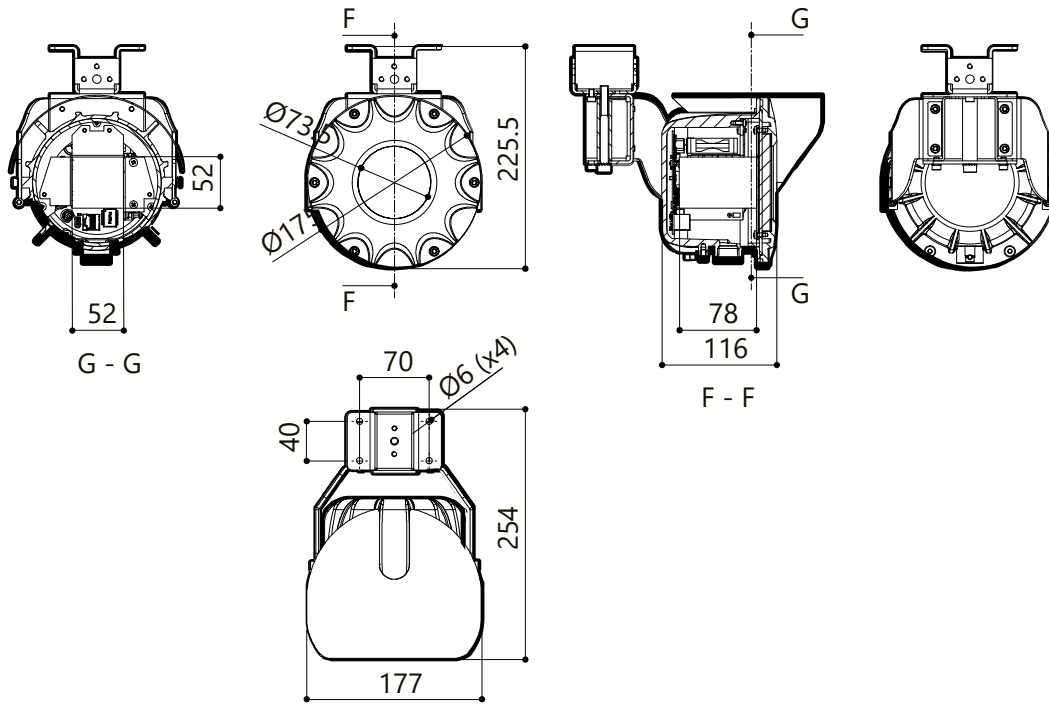
## Dimensions

X	MM
---	----

### Wall Mounting



# Parapet or Ceiling Mounting



## Ordering Information

### PTZ CAMERAS

	MP	WDR	SureVision TECHNOLOGY	ANALYTICS	LENS	ZOOM	IP66/67/68/69	Pelco SMART Compression	Armoured Cable Length
EXC2602-62 EXC266200T	6.0	✓	✓	✓	4.9-8 mm	6x	✓	✓	-
EXC2602-62- A4 EXC266204T	6.0	✓	✓	✓	4.9-8 mm	6x	✓	✓	4m
EXC2602-62- A0 EXC266210T	6.0	✓	✓	✓	4.9-8 mm	6x	✓	✓	10m

# Support

Learn more and find additional documentation at [pelco.com](https://pelco.com) or email [support@pelco.com](mailto:support@pelco.com) for specific product support.