

ExSite Enhanced 2 Series PTZ



Compliant with NDA 2019
Section 889

Wide coverage for hazardous sites

The ExSite Enhanced 2 Series PTZ is an explosion-proof, Day/Night Pan-Tilt-Zoom (PTZ) camera. This video security camera offers up to 30x zoom and full 1080p resolution. Designed with AISI 316L stainless steel and micro-shot, electro-polished surfaces, it provides maximum resistance in corrosive environments, such as industrial and marine locations. In addition, this camera offers up to IP69, NEMA Type 4X and Type 6P ratings, ensuring protection against extreme conditions, including water and dust. With the Small Form-Factor Pluggable (SFP) slot built into the junction box, this PTZ camera provides easy installation through fiber optic connections.

2 MP



Features

SMART ANALYTICS WITH AUTO-TRACKING

Detects more objects with expanded object classifications and automatically tracks objects in zone for faster, decisive responses.

HAZARDOUS LOCATION CERTIFICATIONS

Heavy-duty housing meets stringent explosion-proof and dust ignition-proof requirements while complying with international standards (UL, CSA, ATEX, IECEx, UKCA, INMETRO, ECAS EX, KCs and TS mark).

HIGH-TEMPERATURE RANGE

Optimized to operate reliably even at increased temperature variances: from -40°C (-40°F) up to +60°C (+140°F).

STAINLESS STEEL CONSTRUCTION

AISI 316L stainless steel construction for exceptional resistance to corrosion for both onshore and offshore marine environments.

H.264 AND H.265 SMART COMPRESSION TECHNOLOGY

Retains image quality and critical information while reducing and bandwidth requirements to lower cost of ownership.

ONVIF® CONFORMANT

ONVIF Profile G, M, S and T compliance allows easy integration with existing ONVIF infrastructures.

WIDE DYNAMIC RANGE

Captures details in scenes with both very bright and very dark areas.

LOW LIGHT TECHNOLOGY

Offers excellent image detail in low-light settings.

For more information, contact your local Pelco sales representative today at pelco.com/about/contact-us/#form.

PELCO®

Specifications

Image Performance

2.0 MP

Image Sensor	1/2.8" progressive scan CMOS
Active Pixels (H x V)	1945 (H) x 1097 (V)
Imaging Area (H x V)	5.568 mm (H) x 3.132 mm (V); 0.219 " (H) x 0.123 " (V)
Min. illumination	0.03 lux (F/1.6) in color mode; 0.02 lux F/1.6) in monochrome
Dynamic Range	Up to 120 dB
Image Rate	Up to 60 fps
Aspect Ratio (Resolution Scaling)	Down to (16:9) 384x216 or (5:4) 320x256
3D Noise Reduction Filter	Yes
S/N Ratio	More than 50dB

Lens

2.0 MP

Lens	F1.6, 4.3-129 mm (30x zoom) remote focus and zoom	
Angle of View	Horizontal	(16:9) 2.34° - 65.1°
	Vertical	(16:9) 1.36° - 38.4°
Zoom	Up to 30x	

Image Control

Video Compression	H.264 and H.265 Pelco Smart Compression, Motion JPEG
Streaming	Multi-stream H.264, Multi-stream H.265, Motion JPEG
Frame Rate	60 fps
Electronic Shutter Control	Automatic, Manual (1/1 to 1/30,000 sec)
Iris Control	P-Iris, Automatic, Open, Closed
Day/Night Control	Mechanical IR cut filter. Automatic, Manual
Flicker Control	60 Hz, 50 Hz
White Balance	Automatic, Manual
Backlight Compensation	On/Off
Smart Compression Technology	Yes, lowers bandwidth and storage requirements by up to 70%
On Screen Displays	Yes
Privacy Zones	3D, up to 64 zones
Presets	500 named presets
Digital Zoom	12X
Tours	10 named tours
Electronic Image Stabilization	Yes
Digital Defog	Adjustable/Off

Network

Network	10BASE-T/100BASE-T (RJ45) and 100BASE-FX (SFP)
Ports	RJ45 connector (CAT5E cabling) and SFP slot
ONVIF	ONVIF compliance Profile S, Profile T, Profile G and Profile M (www.onvif.org)
Security	Password protection, HTTPS encryption, digest authentication, WS authentication, user access log, 802.1x port based authentication. Signed and encrypted firmware. FIPS 140-2 L1 (with optional camera license)
Protocols	IPv6, IPv4, HTTP, HTTPS, SOAP, DNS, NTP, RTSP, RTCP, RTP, TCP, UDP, IGMPv3, ICMP, DHCP, Zeroconf, HSTS, NTCIP
Streaming Protocols	RTP/UDP, RTP/UDP multicast, RTP/RTSP/TCP, RTP/RTSP/HTTP/TCP, RTP/RTSP/HTTPS/TCP, HTTP, SRTP
Device Management Protocols	SNMP v2c, SNMP v3

Mechanical

Dimensions (LxWxH)	313 mm x 232 mm x 398 mm; 12.3" x 9.13" x 15.7"
Weight	26.5 kg; 58.4 lbs
Construction	AISI 316L stainless steel
Finish	Electro-polished surface
Pan Movement	360° continuous, max 100°/s
Vertical Tilt	-90° to 90°
Maximum Pan/Tilt Speed	100°/s
Wiper	Yes
Cable Entry	2 x 3/4" NPT
Pre-set Accuracy	0.2°
Sunshield	AISI 316L stainless steel

Electrical

Local Storage	Factory installed 128GB, Micro SDXC Card.
Ports	10BASE-T/100BASE-TX, RJ45 connector (CAT5E cabling) and SFP slot
Power Consumption	Not moving, Heaters/blower off, no analytics: 40W (the motors are powered even if not moving) Not moving, Heaters/blower on, no analytics: 120W max peak Moving, Heaters/blower off, no analytics: 40W
Input Voltage (Power)	Ordering options: 230 VAC, 0.54 A, 50/60 Hz 24 VAC, 5A, 50/60 Hz 120 VAC, 1A, 50/60 Hz 220 VAC, 0.54A, 50/60 Hz
Input for Remote Reset	1
Alarm Inputs	1
Relay Outputs	1+1 (one relay reserved for washer pump and one configurable, 1A, 30 VAC/60 VDC max)
Integrated Power Supply For Washing System	24 VDC, 12 Wmax

Environmental

Operating Temperature	-40 °C to +55 °C (-40 °F to 131 °F) in enclosed space, - 40 °C to +60 °C (-40 °F to 140 °F) with ambient convection
Storage Temperature	-40 °C to +70 °C (-40 °F to 158 °F)
Humidity	5% - 95% non-condensing
Housing Climate Control	Built-in heater and fan
Cold Start	Up to 2 hour startup delay at temperature lower than -10 °C (14 °F)
Wind Resistance	Pan and tilt operational at a maximum of 210 km/h wind (130.5 mph)

Certifications

Certifications/Directives	cULus, CE, UKCA, ROHS, RCM KC (EXP2230M5MB)
Safety	UL/CSA 62368-1, EN/IEC 62368-1
Hazardous	ATEX (EN IEC 60079-0, EN 60079-1, EN 60079-31), IECEx (IEC 60079-0, IEC 60079-1, IEC 60079-31), INMETRO (ABNT NBR IEC 60079-0, ABNT NBR IEC 60079-1, ABNT NBR IEC 60079-31), UK Ex (EN IEC 60079-0, EN 60079-1, EN 60079-31), KCs (Employment and labor department 2021-22), UL listed for USA (UL 60079-0, UL 60079-1, UL 60079-31), UL listed for Canada (CAN/CSA-C22.2 NO. 60079-0, CAN/CSA-C22.2 NO. 60079-1, CAN/ CSA-C22.2 NO. 60079-31), TS mark, ECAS Ex (UAE.SIEC60079-0, UAE.SIEC60079-1, UAE.SIEC60079-31)
Environmental and Performance	EN/IEC 60529: IP66, IP67, IP68, IP69 IEC 60068-2-1, IEC 60068-2-2, IEC 60068-2-6, IEC 60068-2-30, IEC 60068-2-52 NEMA TS 2 para 2.2.7 - 2.2.9 UL50E: Type 4X and 6P
Electromagnetic Emissions	FCC Part 15 Subpart B Class A, IC ICES-003 Class A, EN 55032 Class A, EN 61000-6-4, EN 61000-3-2, EN 61000-3-3
Electromagnetic Immunity	EN 50130-4
Vibration Test	EN 50130-5, EN 60068-2-6
Marine Certification	Lloyd's Register Marine Type Approval certification: EN60945 (with MAXIMUS MBX communication box or with FM1010 filter). Test Specification Number 1 (ENV1, ENV2, ENV3, ENV5) Electromagnetic compatibility: EN60945 Salty fog resistance: EN60068-2-52.
Warranty	3-year limited warranty. 5-year extended warranty is available.

Explosion-Proof Certifications

Part Number	Certification	Marking	Ambient Temperature	Cable Entry Temperature
EXP2230M2MB EXP2230ACMB EXP2230M1MB EXP2230M5MB	DEMKO 12 ATEX 1031198X	Ex II 2 G Ex db IIC T6...T5 Gb Ex II 2 D Ex tb IIIC T85°C...T100°C Db	-40°C ≤ Ta ≤ +60°C or +70°C (T6/T85°C with Ta ≤ +60°C) (T5/T100°C with Ta ≤ +70°C)	+80°C with Ta ≤ 65°C +85°C with Ta ≤ 70°C
	IECEX ULD 11.0005X	Ex db IIC T6...T5 Gb Ex tb IIIC T85°C...T100°C Db		
	INMETRO UL-BR 13.0063X	Ex db IIC T6...T5 Gb Ex tb IIIC T85°C...T100°C Db		
	UKEx UL21UKEX2216X	Ex II 2 G Ex db IIC T6...T5 Gb Ex II 2 D Ex tb IIIC T85°C...T100°C Db		
	KCs 26-KB4BO-0113X, 26-KB4BO-0114X	Ex db IIC T6...T5 Gb Ex tb IIIC T85°C...T100°C Db		
	TS Mark	Ex db IIC T6...T5 Gb Ex tb IIIC T85°C...T100°C Db		
	UL Hazardous Location America	Class I, Zone 1, AEx db IIC T6...T5 Gb Zone 21, AEx tb IIIC T85°C...T100°C Db Class I, Div 2, Group A, B, C, D T6...T5 Class II, Div 2, Group F, G T6...T5	-40°C ≤ Ta ≤ +55°C or +70°C (T6/T85°C with Ta ≤ +55°C) (T5/T100°C with Ta ≤ +70°C)	+80°C with Ta ≤ 65°C +85°C with Ta ≤ 70°C
UL Hazardous Location Canada	Ex db IIC T6...T5 Gb X Ex tb IIIC T85°C...T100°C Db X Class I, Div 2, Group A, B, C, D T6...T5 Class II, Div 2, Group F, G T6...T5			

Analytics Specifications

Supported Analytics Events*

Objects in Area	The event is triggered when the selected object type moves into the region of interest. This event can be used to count objects.
Object Loitering	The event is triggered when the selected object type moves into the region of interest, then stays for an extended amount of time.
Objects Crossing Beam	The event is triggered when the specified number of objects have crossed the directional beam that is configured over the camera's field of view. The beam can be unidirectional or bidirectional.
Object Appears or Enters Area	The event is triggered by each object that enters the region of interest.
Object Not Present in Area	The event is triggered when no objects are present in the region of interest.
Objects Enter Area	The event is triggered when the specified number of objects have entered the region of interest.
Objects Leave Area	The event is triggered when the specified number of objects have left the region of interest.
Object Stops in Area	The event is triggered when an object moves into a region of interest and then stops moving for the specified threshold time.

Supported Analytics Events*

Direction Violated	The event is triggered when an object moves in the prohibited direction of travel.
Sabotage Detection	The event is triggered when the scene unexpectedly changes.

*Pelco Smart Analytics powered by Motorola Solutions.

System Model Numbers

System Resolution	Model #	Description
2 MP 30X	EXP2230ACMB	ExSite Enhanced 2PTZ, 2MP x 30, 24 VAC, with ONVIF G remote storage and integrated power supply for washing system
2 MP 30X	EXP2230M1MB	ExSite Enhanced 2PTZ, 2MP x 30, 120 VAC, with ONVIF G remote storage and integrated power supply for washing system
2 MP 30X	EXP2230M5MB	ExSite Enhanced 2PTZ, 2MP x 30, 220 VAC, with ONVIF G remote storage and integrated power supply for washing system
2 MP 30X	EXP2230M2MB	ExSite Enhanced 2PTZ, 2MP x 30, 230 VAC, with ONVIF G remote storage and integrated power supply for washing system

Mounting Accessories

Part #	Description
MPXCW	Corner mount adapter for use with ExSite cameras. Max load 50 kg (110 lb.). AISI 316L stainless steel.
MPXWBA	AISI 316L stainless steel wall bracket.
MPXCOL	Pole mount adapter for use with ExSite cameras. For pole diameters from 110 mm (4.3") to 150 mm (5.9"). Max load 50 kg (110 lb.). AISI 316L stainless steel.
MPXWBTA	AISI 316L stainless steel parapet or ceiling mounting bracket.

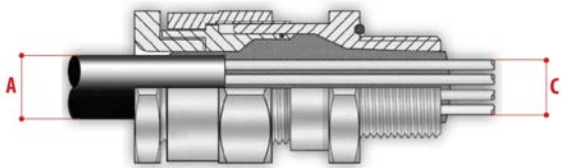
Cabling

Item	Description
MPX2CABL41	Cabling, 4m (13.1 ft), unarmored cable, barrier cable gland
MPX2CABL101	Cabling, 10m (32.8 ft), unarmored cable, barrier cable gland
MPX2CABLARM41	Cabling, 4m (13.1 ft), armored cable, barrier cable gland
MPX2CABLARM101	Cabling, 10m (32.8 ft), armored cable, barrier cable gland

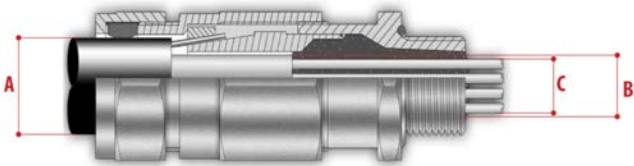
Cable Glands and Accessories 3/4" NPT

Type	Certification	Operating Temp.	Cable	Part Number	Maximum diameter of the external sheath (A)	Maximum diameter of the internal sheath (B)	Maximum diameter of the conductors bundle (C)
Barrier Cable Gland	IECEX / ATEX / EAC Ex	-60°C (-76°F) / +135°C (+275°F)	Unarmored	OCTEXB3/4P	20.0 mm (0.78 in)	-	17.8 mm (0.7in)
			Armored	OCTEXBA3/4P	16.8 - 23.9 mm	20 mm (0.79 in)	17.8 mm (0.7

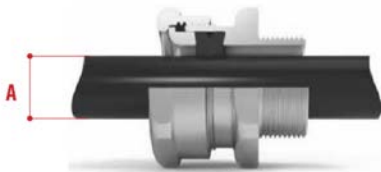
Type	Certification	Operating Temp.	Cable	Part Number	Maximum diameter of the external sheath (A)	Maximum diameter of the internal sheath (B)	Maximum diameter of the conductors bundle (C)
					(0.66-0.94 in)	max	in)
Cable Gland with Gasket	IECEX / ATEX / EAC Ex	-60°C (-76°F) / +100°C (+212°F)	Unarmoured	OCTEX3/4C	13.0 - 20.2 mm (0.51-0.79 in)	-	-
		-60°C (-76°F) / +80°C (+176°F)	Armored	OCTEXA3/4C	16.9 - 26.0 mm (0.66-1.02 in)	11.1 - 19.7 mm (0.44 - 0.78 in)	-
Plug EX 3/4"NPT	IECEX / ATEX / EAC Ex	-100°C (-148°F) / +400°C (+752°F)	-	OEXPLUG3/4P	-	-	-
Conduit Sealing Fitting	IECEX / ATEX / cCSAus / EAC Ex	-60°C (-76°F) / +80°C (+176°F)	-	OCTEXP3/4C	-	-	11.0 mm (0.43 in)
Reduction 3/4" NPT x 1/2" NPT	IECEX / ATEX / EAC Ex	-100°C (-148°F) / +400°C (+752°F)	-	OCTEX1/2-3/4P	-	-	-



Barrier cable gland with unarmored cable



Barrier cable gland with armored cable

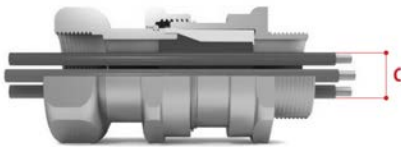


Cable gland with gasket with unarmored cable

Type	Certification	Operating Temp.	Cable	Part Number	Maximum diameter of the external sheath (A)	Maximum diameter of the internal sheath (B)	Maximum diameter of the conductors bundle (C)
------	---------------	-----------------	-------	-------------	---	---	---



Cable gland with gasket with armored cable



Conduit sealing fitting

Explosion-Proof Communication Box

A communication box includes a 3-port RJ45 and 1 SFP port Ethernet switch and 24 VAC output for powering up to one of the following:

- 2x EXC2602 fixed compact cameras
- 2x EXF2230 fixed cameras with 2x washer pump
- 1x EXP2230 PTZ camera with 1x washer pump

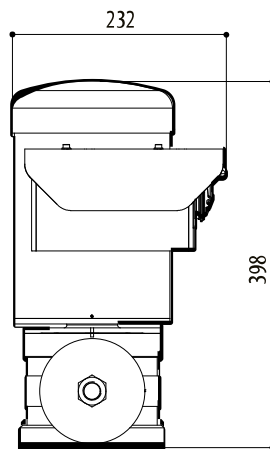
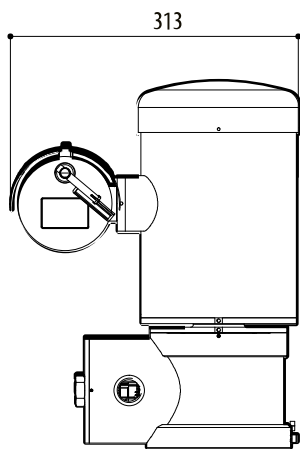
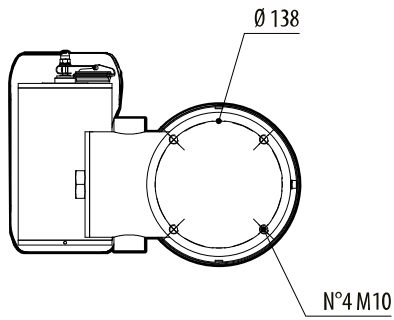
Part #	Description
MBX1MAA	AISI 316L stainless steel housing, 230 VAC input.
MBX2MAA	AISI 316L stainless steel housing, 24 VAC input.
MBX3MAA	AISI 316L stainless steel housing, 120 VAC input.
MBXMP	Adapter plate for communication box to MPXCOL or MPXCW mounts. AISI 316L stainless steel housing.
MBXWRE	Wrench for opening communication boxes, MBX.
MPXCOL	Pole mount adapter for use with ExSite cameras. For pole diameters from 110 mm (4.3") to 150 mm (5.9"). Max load 50 kg (110 lb.). AISI 316L stainless steel.
MPXCW	Corner mount adapter for use with ExSite cameras. Max load 50 kg (110 lb.). AISI 316L stainless steel.

Explosion-Proof Washer

A 10L (2.6 gal) tank with integrated manual pump and delivery up to 20m (66 ft), 24 VAC/VDC input.

Part #	Description
WASEX2T4AT	ATEX certified solenoid valve.
WASEX2T4ATPR	ATEX certified solenoid valve and pressure switch.
WASEX2T4IC	IECEX certified solenoid valve.
WASEX2T4ICPR	IECEX certified solenoid valve and pressure switch.
WASEX2T4IN	INMETRO certified solenoid valve.
WASEX2T4KC	KCS certified solenoid valve (only 24 VDC).
WASEX2T4UL	cULus certified solenoid valve.
NXCOL	Pole mount adapter for use with EXF2230 cameras or explosion protected washers. For pole diameters from 110 mm (4.3") to 150 mm (5.9"). Max load 50 kg (110 lb.). AISI 316L stainless steel.
NXCW	Corner mount adapter for use with EXF2230 cameras or explosion protected washers. Max load 50 kg (110 lb.). AISI 316L stainless steel.

Dimensions



Values are millimeters.

Ordering Information

PTZ CAMERAS, 2MP - 30X ZOOM (4.3-129mm LENS)

Part Number	WDR	SureVision TECHNOLOGY	ANALYTICS AT HOME POSITION	IP66/67 /68/69	Pelco SMART Compression	Input Voltage	ONVIF G remote storage	Integrated Power Supply For Washing System
EXP2230ACMB	✓	✓	✓	✓	✓	24VAC	✓	✓
EXP2230M1MB	✓	✓	✓	✓	✓	120VAC	✓	✓
EXP2230M5MB	✓	✓	✓	✓	✓	220VAC	✓	✓
EXP2230M2MB	✓	✓	✓	✓	✓	230VAC	✓	✓

Support

Learn more and find additional documentation at pelco.com or email support@pelco.com for specific product support.