

Esprit Compact PTZ Camera



Compliant with NDAA 2019
Section 889

The Esprit Compact is a hardened, mission-critical pan-tilt-zoom (PTZ) camera that can withstand the most extreme environmental factors. This security camera is built to withstand most outdoor environments while maintaining continuous clear, high-resolution live and recorded video, with up to 8 MP and 40x zoom.

Built for operations that have extreme operational requirements, this camera is ideal for monitoring cities, ports, industrial plants and enterprise facilities. Designed to have superior strength and durability, it is tested to MIL-STD-167-1A and 810G, allowing for extreme shock and vibration tolerance. It also is NEMA TS2 and IP66/67 rated to withstand extreme weather, shock, vibration and humidity. The Esprit Compact is built with Smart Analytics, powered by Motorola Solutions, equipped with ONVIF Profile M, G, S and T and is NDAA-compliant, allowing for open connectivity with Pelco VideoXpert and leading partner VMS.

2 MP

4 MP

8 MP



Features

SMART ANALYTICS WITH AUTO-TRACKING

Detects more objects with expanded object classifications and automatically tracks objects in zone for faster, decisive responses.

WIDE DYNAMIC RANGE

Captures high-quality image details in scenes with dark and light backgrounds per IEC 62676-5.

DUST & WATER RESISTANT

IP66/67 rating for resistance from dust and water.

ONVIF® CONFORMANT

ONVIF Profile M, G, S and T conformance for easy integration with any third-party VMS.

SIMPLE DEPLOYMENT, INSTALLATION AND REPAIR

Reduce installation times with accessory options such as power supplies, mounting brackets and IR/white light illuminators.

H.264 AND H.265 WITH SMART COMPRESSION

Optimizes compression levels for regions in a scene to help maximize bandwidth savings and keep storage costs down.

IMPACT RESISTANT

IK10 rated for 20 joule impact resistance.

PEACE OF MIND

We back our Esprit Compact camera with a 5-year industry-leading warranty, with onsite support and 24/7 phone support.

PELCO®

Specifications

Image Performance		2.0 MP	4.0 MP	8.0 MP
Image Sensor		1/2.8" progressive scan CMOS		1/2.5" Type "Exmor R" CMOS sensor
Active Pixels (H x V)		1937 (H) x 1097 (V)		2688 (H) x 1512 (V) 3840 (H) x 2160 (V)
Imaging Area (H x V)		5.568 mm (H) x 3.132 mm (V); 0.219 " (H) x 0.123 " (V)		6.22 mm (H) x 3.50 mm (V); 0.245" (H) x 0.137" (V)
IR Illumination Max Distance	UEI8AA	100 m (328 ft)	30 m (98 ft)	
	UEI8AAP	200 m (656 ft)	75 m (246 ft)	
	UEI9AA	75 m (246 ft)	20 m (66 ft)	
White Light LED Illumination Max Distance	UEIWAA	150 m (492 ft)	50 m (164 ft)	
	UEIWAAP	200 m (656 ft)	100 m (328 ft)	
Minimum Illumination		0.03 lux (F/1.6) in color mode; 0.02 lux (F/1.6) in monochrome		0.3 lux (F/2.0) in color mode; 0.09 lux (F/2.0) in monochrome
Dynamic Range		120 dB		100 dB
Image Rate		Up to 60 fps		Up to 30 fps
Aspect Ratio (Resolution Scaling)		Down to (16:9) 384x216 or (5:4) 320x256		
3D Noise Reduction Filter		Yes		

Lens		2.0 MP	4.0 MP	8.0 MP
Lens		4.25 to 170 mm, F/1.6 – F/4.95, autofocus		4.4 to 88 mm, F/2.0 - F/3.8, autofocus
Angle of View	Horizontal	66.35° - 1.9°		69.7° - 2.2°
	Vertical	39.99° - 1.11°		42.8° - 1.3°
Zoom		Up to 40x		Up to 36x ¹

¹Up to 36x zoom is achieved with Image Stabilization off. Image Stabilization set to on will provide 30x zoom..

Image Control		2.0 MP	4.0 MP	8.0 MP
Video Compression		H.264 and H.265 Pelco Smart Compression, Motion JPEG		
Streaming		Multi-stream H.264, Multi-stream H.265, Motion JPEG		
Motion Detection		Pixel motion: Selectable sensitivity and threshold. Classified object detection		
Electronic Shutter Control		Automatic, Manual (1/1 to 1/10,000 sec)		
Iris Control		Automatic, Open, Closed		
Day/Night Control		Automatic, Manual		
Flicker Control		60 Hz, 50 Hz		
White Balance		Automatic, Manual		

Image Control	2.0 MP	4.0 MP	8.0 MP
Backlight Compensation	On/Off		
Privacy Zones	3D, up to 64 zones		
Presets	500 named presets		
Digital Zoom	12X	8X	
Tours	10 named tours		
Electronic Image Stabilization	Yes	Yes	
Digital Defog	Adjustable/Off		

Network

Network	100BASE-TX
Cabling Type	CAT5e/CAT6 shielded (STP) Ethernet cable is required to fully comply with EMC regulatory standards
Connector	RJ-45
ONVIF	ONVIF compliance Profile S, Profile T, Profile G and Profile M. (www.onvif.org)
Security	Password protection, HTTPS encryption, digest authentication, WS authentication, user access log, 802.1x port based authentication. Signed and encrypted firmware. FIPS 140-2 Level 1.
Protocols	IPv6, IPv4, HTTP, HTTPS, SOAP, DNS, NTP, RTSP, RTCP, RTP, TCP, UDP, IGMPv3, ICMP, DHCP, Zeroconf, HSTS, PoS, QSCP, NTCIP
Streaming Protocols	RTP/UDP, RTP/UDP multicast, RTP/RTSP/TCP, RTP/RTSP/HTTP/TCP, RTP/RTSP/HTTPS/TCP, HTTP, SRTP
Device Management Protocols	SNMP v2c, SNMP v3

Peripherals

Audio Input/Output	None
External I/O Terminals	2 Alarm In, 2 Alarm Out
Onboard Storage	MicroSD/microSDHC/microSDXC slot – video speed class card required. Class V10 or better recommended.

Mechanical

Dimensions (Ø×H)	Ø240 mm × 406 mm; Ø9.45" × 16.0"	
Weight	Camera	7.1 kg; 15.6 lbs
	Camera with LED illuminator	7.4 kg; 16.3 lbs
Glass Window	6 mm thick (0.24")	
Body	Aluminum and technopolymer	
Housing	Pendant and pedestal mount	
Finish	Epoxy-polyester powder painted, close to RAL9002	
Tilt	Upright: -90° to +90°; Inverted: -40° to +90° Up to 250°/second	

Mechanical

Pan	360°, endless, up to 250°/second
Horizontal speed (variable)	from 0.1°/s up to 250°/s
Tilt speed (variable)	from 0.1°/s up to 250°/s
Accuracy of preset positions	±0.1°

Electrical

Power Consumption	71 W max with 24 VDC aux power supply or 90 W PoE, 100 VA with 24 VAC aux power. UL rating as specified on the product label = 5A max	
Power Source	External Power	24 VDC, 24 VAC 50/60 Hz or 57 VDC PoE+, 71 W max
	PoE	90 W PoE: IEEE 802.3bt Class 8
Power Connector	2-wire terminal block, 18 AWG to 13 AWG	
RTC Battery Backup	None	

Environmental

Operating Temperature	Continuous operation from -40 °C to +65 °C (-40 °F to 149 °F)
Storage Temperature	-40 °C to +70 °C (-40 °F to 158 °F)
Humidity	5% - 95% non-condensing
Housing Climate Control	Built-in heater and fan
Cold Start	Up to 135 minute startup delay at temperature lower than -10 °C (14 °F)
Wind Resistance	Sustained 230 km/h (143 mph)

Certifications

Certifications/Directives	UL, cUL, CE, UKCA, ROHS, RCM, KC, NOM
Safety	UL 62368-1, CSA 62368-1, IEC/EN 62368-1, IEC/EN 62471
Environmental and Performance	UL/CSA/IEC 60950-22, IEC 62262 IK10 Impact Rating (enclosure only), IEC 60529 IP66, IP67, IP68 Weather Rating, IEC 60068-2-1, IEC 60068-2-2, IEC 60068-2-6, IEC 60068-2-30, NEMA TS 2 para 2.2.7 - 2.2.9, Type 4X and 6P, Salt Spray ASTM B117, ISO 14993, MIL-STD-810-H, MIL-STD-167-1A
Electromagnetic Emissions	FCC Part 15 Subpart B Class A, IC ICES-003 Class A, EN 55032 Class A, EN 61000-6-4, EN 61000-3-2, EN 61000-3-3, EN 50121-4
Electromagnetic Immunity	EN 55035, EN 50130-4, EN 50121-4
Warranty	5-year limited warranty. Extended warranty not available.

Analytics Specifications

Supported Analytics Events*

Objects in Area	The event is triggered when the selected object type moves into the region of interest.
Object Loitering	The event is triggered when the selected object type moves into the region of interest, then stays for an extended amount of time.
Objects Crossing Beam	The event is triggered when the specified number of objects have crossed the directional beam that is configured over the camera's field of view. The beam can be unidirectional or bidirectional.

Supported Analytics Events*

Object Appears or Enters Area	The event is triggered by each object that enters the region of interest and can also be used to count objects.
Object Not Present in Area	The event is triggered when no objects are present in the region of interest.
Objects Enter Area	The event is triggered when the specified number of objects have entered the region of interest.
Objects Leave Area	The event is triggered when the specified number of objects have left the region of interest.
Object Stops in Area	The event is triggered when an object moves into a region of interest and then stops moving for the specified threshold time.
Direction Violated	The event is triggered when an object moves in the prohibited direction of travel.
Sabotage Detection	The event is triggered when the scene unexpectedly changes.

*Pelco Smart Analytics powered by Motorola Solutions.

Pelco Elevate Supported Features

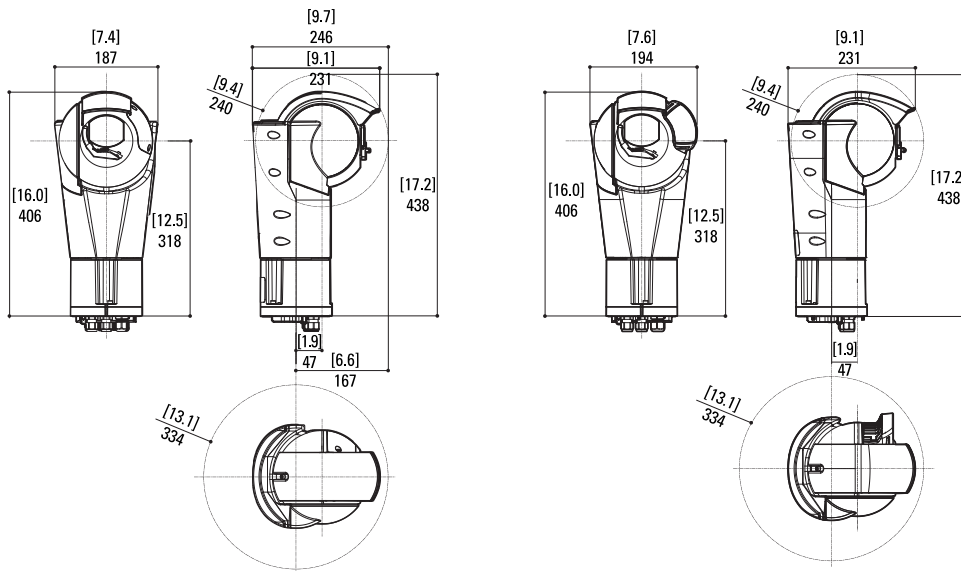
Firmware Management	Schedule and deploy automatic firmware updates to multiple cameras, or update individual cameras on-demand.
PPE -Personal Protective Equipment	Triggers an ONVIF event when required personal protective equipment, such as helmets or safety vests, is not detected on people within the scene.

Outline Dimensions

Esprit Compact PTZ Camera

(ESCE1-2x40-RLU, ESCE1-4X36-RLU, and ESCE1-8X36-RLU)

[X.XX]	INCHES
X.X	MM



Ordering Information

PTZ CAMERAS

	MP	WDR	LIGHTCATCHER TECHNOLOGY	ANALYTICS AT HOME POSITION	LENS	ZOOM	IP66/67/68	HDSM SMARTCODEC
ESCE1-2X40-RLU	2.0	✓	✓	✓	4.25 – 170 mm	40x	✓	✓
ESCE1-4X36-RLU	4.0	✓	✓	✓	4.4 – 88 mm	36x	✓	✓
ESCE1-8X36-RLU	8.0	✓	✓	✓	4.4 – 88 mm	36x	✓	✓

PTZ CAMERA ACCESSORIES

Illuminators

Accessory	Description
UEI8AA	IR illuminator 850nm, Esprit Compact PTZ
UEI8AAP	Long distance IR, 850nm, Esprit Compact PTZ
UEI9AA	IR illuminator, 940nm, Esprit Compact PTZ
UEIWAA	White light illuminator, Esprit Compact PTZ
UEIWAAP	Long distance white illuminator, Esprit Compact PTZ

Brackets and Mounting

Accessory	Description
UEBWAA	Wall bracket for Esprit Compact PTZ
UEBP0AA	Parapet bracket for Esprit Compact PTZ
UEBP4AA	Parapet bracket with quick connector RJ45 + four poles
UEBP7AA	Parapet bracket with quick connector RJ45 + seven poles
UEAP	Pole adaptor, stainless steel AISI 316L
UEAC	Corner adaptor, SS AISI 316L
UEAW	Counter-plate, stainless steel AISI 316L
UEWBTA	4" top pole parapet adaptor for Esprit Compact, stainless steel AISI 316L

Washers

Accessory	Description
WASPT0V5L5M00	Washer 5l, 5m, 230Vac-24Vac-120Vac
WASPT0V23L11M00	Washer 23l, 11m, 230Vac-24Vac-120Vac
WASPT1V23L30M00	Washer 23l, 30m, water float, 230Vac
WASPT3V23L30M00	Washer 23l, 30m, water float, 120Vac

Communication Boxes

Accessory	Description
COMB100A	Comm. box, w PS & Switch, 220-230Vac
COMB200A	Comm. box, w PS & Switch, 24Vac
COMB300A	Comm. box, w PS & Switch, 120-127Vac

Network Power and Surge Protection

Accessory	Description
SURGEPR	Lightning surge prot. for Ethernet line
POE90U-1BT	PoE injector 802.3bt 90W Single Port

Support

Learn more and find additional documentation at pelco.com or email support@pelco.com for specific product support.

© 2025 - 2026 Pelco, Inc. All rights reserved. MOTOROLA, MOTO, MOTOROLA SOLUTIONS, and the Stylized M Logo are trademarks or registered trademarks of Motorola Trademark Holdings, LLC and are used under license. Pelco, the Pelco logo, and other trademarks associated with Pelco products referred to in this publication are trademarks of Pelco, Inc. or its affiliates. All other trademarks are the property of their respective owners. Product specifications and availability are subject to change without notice. MAR 2026 REV 11

PELCO®